

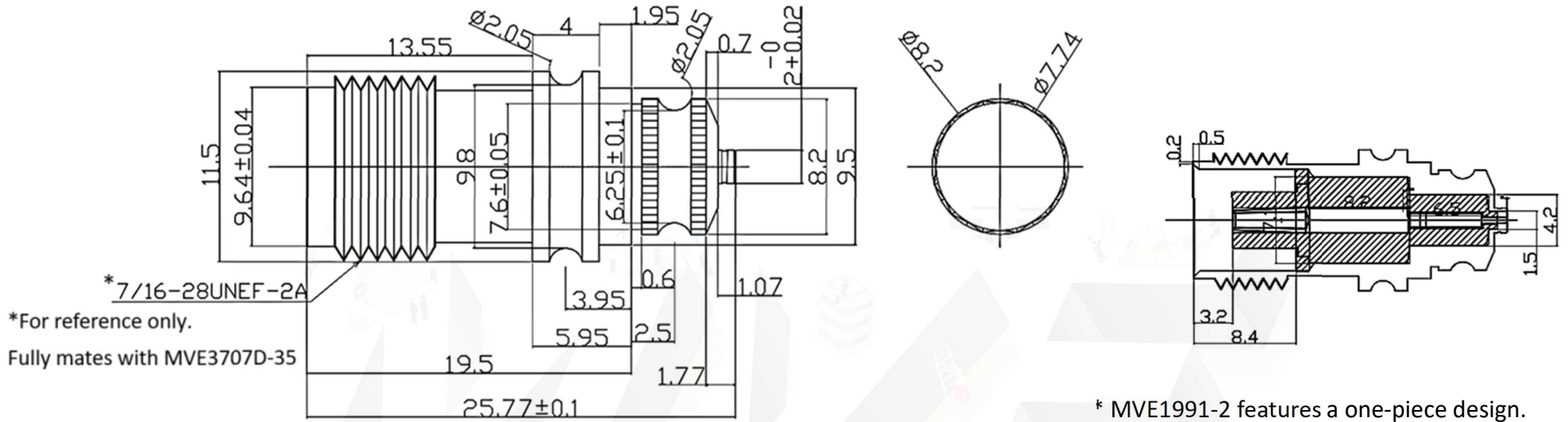
ELECTRICAL DATA

FREQUENCY : DC-3GHz

IMPEDANCE: 50Ω

INSERTION LOSS: 0.6dB MAX. (DC-1.5GHz)

VSWR: 1.3:1 MAX. (DC-1.5GHz)



DESCRIPTION	MATERIALS	ROHS COMPLIANCE	UNIT: mm
PLATING	BLACK NICKEL	TOLERANCE: X=±0.2 X.X=±0.1 X.XX=±0.05	
BODY	STAINLESS STEEL	TITLE MHF Female To TNC Female Adapter /Stainless(Pin : Gold/5u")	
CONTACT PIN	BRASS,GOLD PLATED		
INSULATOR	TEFLON		



芝程科技有限公司
Marvelous Microwave Inc.
www.micro-mve.com sales@micro-mve.com +886-2-2602-0660



PART NO.	MVE1991-2	REV	6.0
SIZE: A	SHEET: 1/1	SCALE:	

NOTES

1. ALL SPECIFICATIONS ARE SUBJECT TO CHANGE WITHOUT NOTICE AT ANY TIME
2. CUSTOMER OUTLINE DRAWING FOR REFERENCE ONLY