



LOW NOISE AMPLIFIER

MLN2040.44
2.0GHz-4.0GHz

Features

- ✓ Gain: 44dB TYP.
- ✓ Low VSWR, Unconditional Stable
- ✓ SMA Female Connector I/O.
- ✓ Operating Voltage +12V

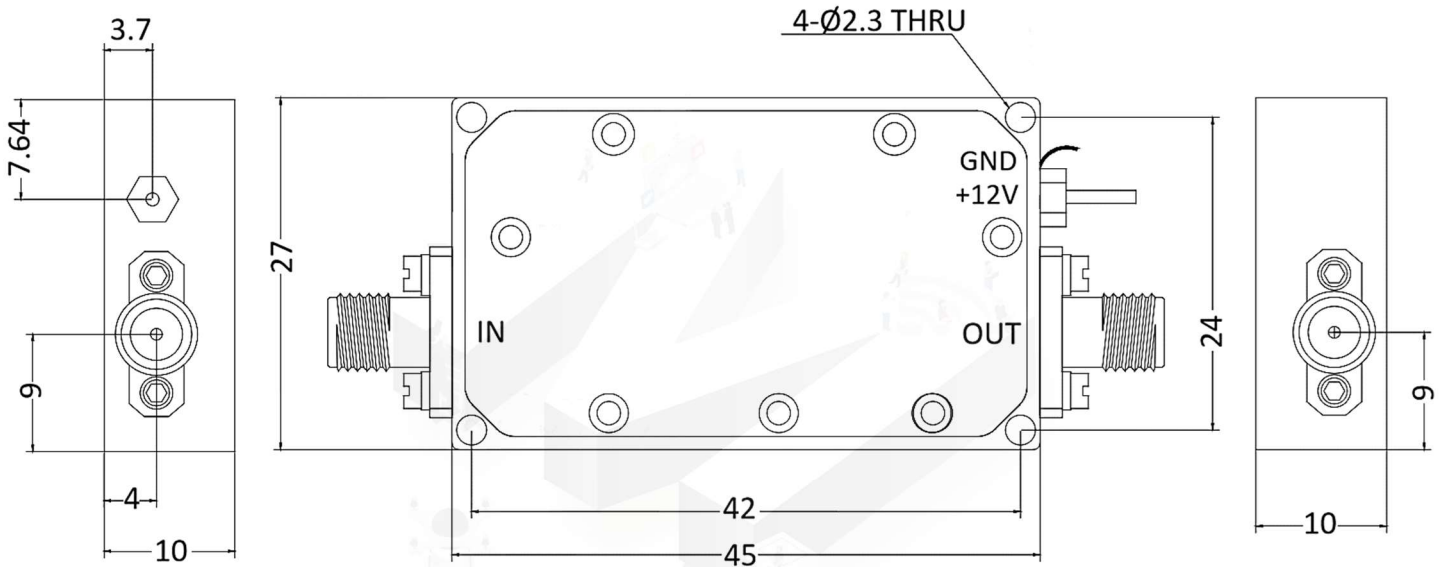
Specifications

Parameters	Minimum	Typical	Maximum
Frequency Range	2.0GHz		4.0GHz
Noise Figure		1.8 dB	2.5 dB
Gain	42dB	44dB	
Gain Flatness		±0.5 dB	±1.0 dB
Gain Variation Over Temperature (-40°C~+85°C)		±1.0 dB	±1.5 dB
Output 1dB Compression Point (P1dB)	20dBm	21dBm	
Saturated Output Power (Psat)		26dBm	
Output Third Order Intercept (OIP3)		28dBm	
Input VSWR		1.5:1	2.0:1
Output VSWR		1.6:1	2.0:1
Isolation		-55dB	
Supply Current (Vcc=+12V)		220mA	300mA
Operating Temperature	-40°C		+85°C
Storage Temperature	-50°C		+105°C
RF In/Out connectors	SMA Female		



Tolerance:±0.3mm

Outline Drawing (Unit: mm)



Absolute Maximum Ratings

DC Voltage	+15V
RF Input Power	-9dBm

Environmental Specifications

Storage Temperature	-50~+105°C
Operating Temperature	-40~+85°C
Altitude	30,000 ft. (Epoxy Sealed Controlled environment)
Vibration	25g RMS (15 degrees 2KHz) endurance, 1 hour per axis
Humidity	100% RH at 35°C, 95%RH at 40°C
Shock	20G for 11msec half sine wave,3 axis both directions

- NOTES:
1. ALL SPECIFICATIONS ARE SUBJECT TO CHANGE WITHOUT NOTICE AT ANY TIME
2. CUSTOMER OUTLINE DRAWING FOR REFERENCE ONLY