



LOW NOISE AMPLIFIER

MLN1090.31
1.0GHz-9.0 GHz

Features

- ✓ Broad band operation from 1.0 GHz to 9.0 GHz
- ✓ Low VSWR, unconditional stable
- ✓ Small size, low cost
- ✓ SMA female connector I/O.
- ✓ Single DC power supply, internal voltage
- ✓ Operating temperature -40~+85°C, storage temperature -55~+125°C



Specifications

| Parameters | Minimum | Typical | Maximum |
|----------------------------|-----------------------|---------|---------|
| Frequency Range | 1.0GHz | | 9.0GHz |
| Gain | 30 dB | 31 dB | |
| Gain flatness | | ±1.5 dB | ±2.5 dB |
| Input VSWR | | 1.6:1 | 2.0:1 |
| Output VSWR | | 1.6:1 | 2.0:1 |
| P-1dB Compression Point | 15dBm | 16dBm | |
| Noise Figure | | 0.9 dB | 1.4 dB |
| OIP3 | | 25dBm | |
| Input Max Power(no damage) | | | -10 dBm |
| DC Current (Vcc=+12V) | | 150mA | |
| Weight | 50g | | |
| Material/Finishing | Aluminum/Gold Plating | | |
| Operating Temperature | -45°C | | +85°C |
| Survival Temperature | -55°C | | +125°C |
| RF In/Out connectors | SMA female | | |
| Size (mm) | 30x30x8 | | |

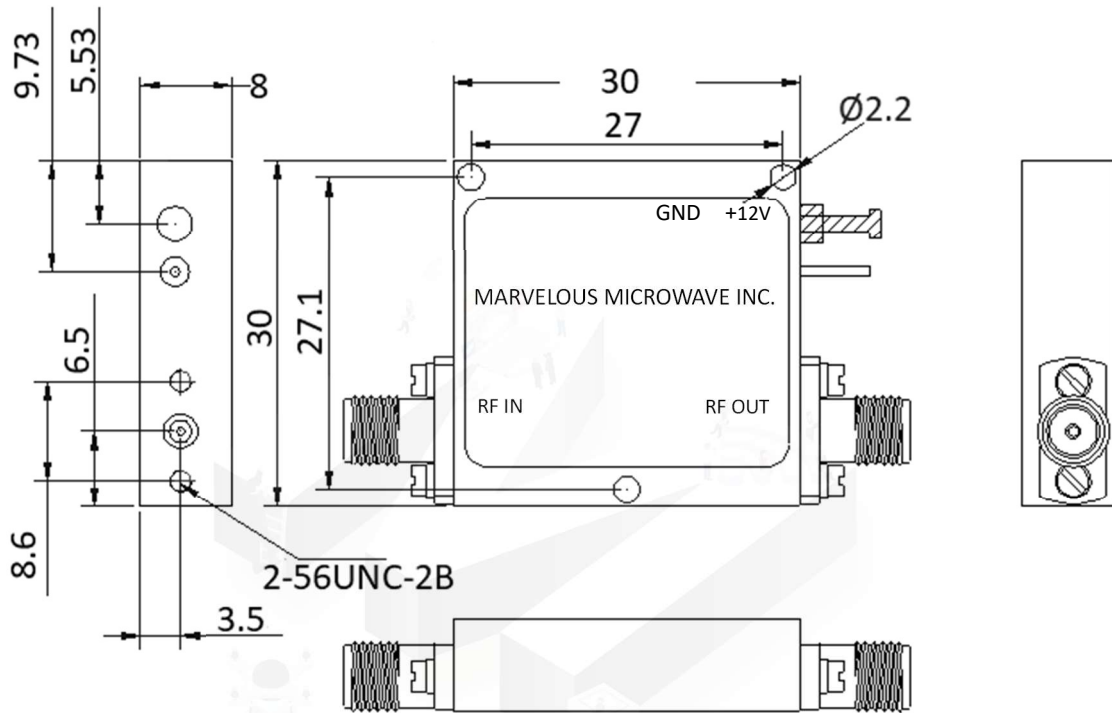
NOTES:
1. ALL SPECIFICATIONS ARE SUBJECT TO CHANGE WITHOUT NOTICE AT ANY TIME
2. CUSTOMER OUTLINE DRAWING FOR REFERENCE ONLY





Mechanical Structure (mm):

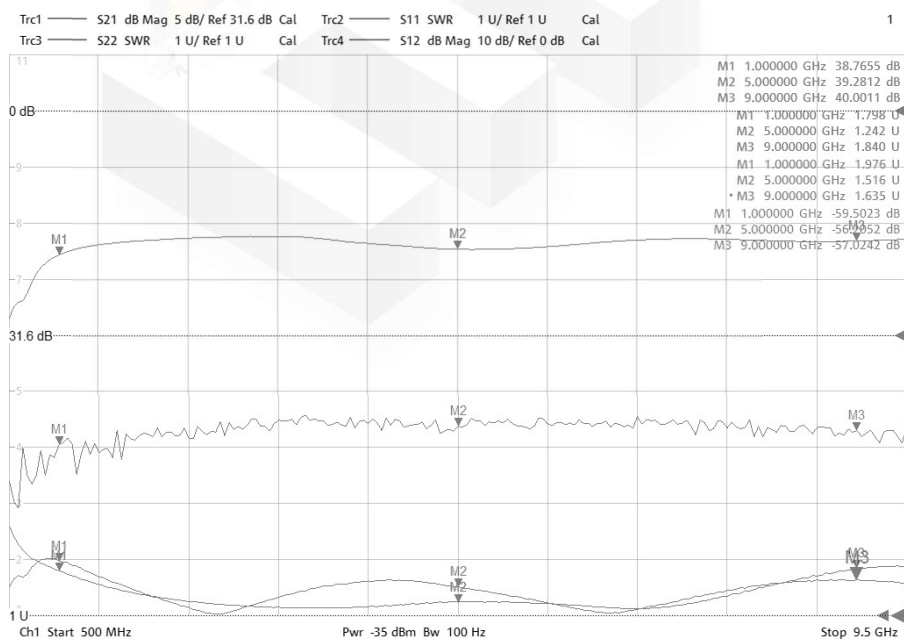
TOLERANCE: X=±0.3mm



Absolute Maximum Ratings

| | |
|-----------------------|------------|
| Supply Bias Voltage | +14V |
| RF Input Power | -15 dBm |
| Storage Temperature | -45~+85°C |
| Operating Temperature | -55~+125°C |

Typical Test Result



NOTES:
1. ALL SPECIFICATIONS ARE SUBJECT TO CHANGE WITHOUT NOTICE AT ANY TIME
2. CUSTOMER OUTLINE DRAWING FOR REFERENCE ONLY

