



POWER DIVIDER

DC-26.5GHz
2 WAY

Features

- ✓ Frequency up to 26.5GHz
- ✓ High performance design
- ✓ Low VSWR



Specifications

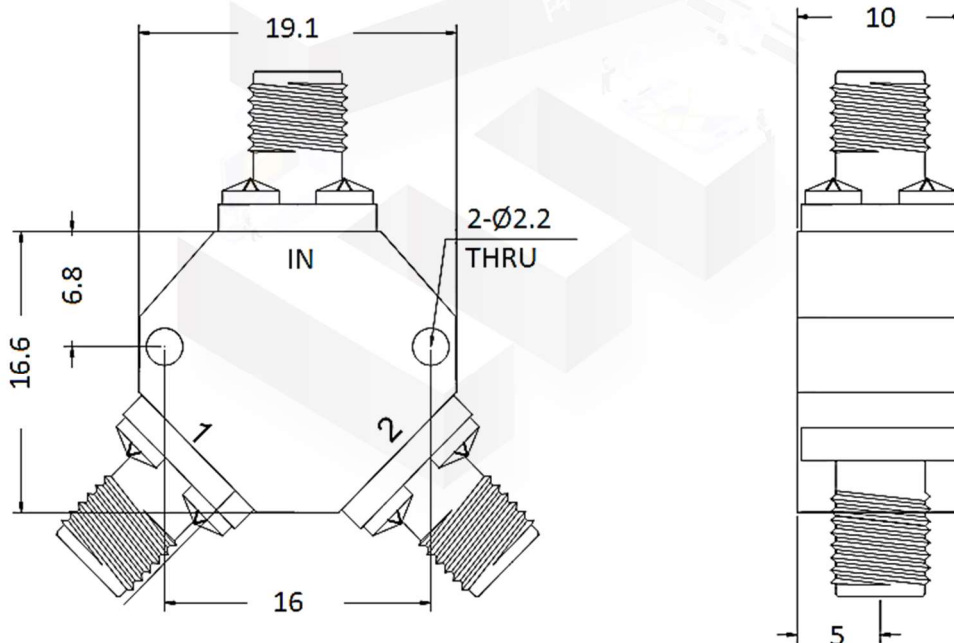
FREQUENCY RANGE: DC-26.5GHz
CONNECTOR TYPE: SMA FEMALE
TEMPERATURE RANGE: -55°C TO +80°C

PART NUMBER	WAYS	INSERTION LOSS	AMPLITUDE BALANCE	PHASE BALANCE	ISOLATION	VSWR		POWER HANDLING
						INPUT	Output	
MVE8626	2WAY	≤8.0dB*	≤±0.5dB	≤±5°	≥10dB	≤1.55:1	≤2.50:1	3 Watt

*Insertion Loss includes 3 dB theoretical loss.

Tolerance: ±0.5mm

Outline Drawing (Unit: mm)



NOTES:
1. ALL SPECIFICATIONS ARE SUBJECT TO CHANGE WITHOUT NOTICE AT ANY TIME
2. CUSTOMER OUTLINE DRAWING FOR REFERENCE ONLY





Typical Test Result

