



# POWER DIVIDER

**0.5-18GHz**  
**4WAY**

## Features

- ✓ Frequency Range: 0.5 to 18GHz
- ✓ Low Insertion Loss
- ✓ Low VSWR



## Specifications

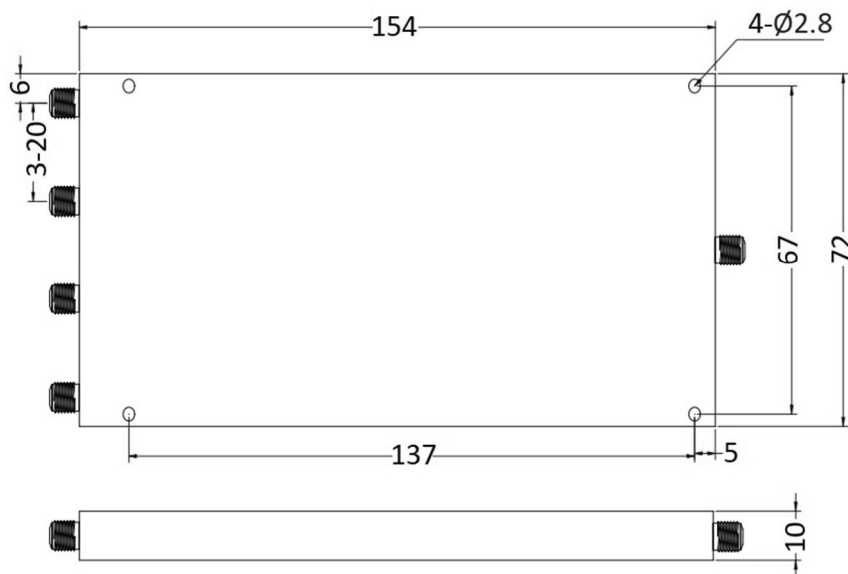
**FREQUENCY RANGE: 0.5-18GHz**  
**CONNECTOR TYPE: SMA FEMALE**  
**STORAGE TEMPERATURE: -45°C TO +80°C**

PART NUMBER	WAYS	INSERTION LOSS	PHASE UNBALANCE	AMPLITUDE UNBALANCE	ISOLATION (MIN.)	VSWR		POWER HANDLING	
						Input	Output	Forward	Reverse
MVE8600	4WAY	≤3.8 dB	±8°	±0.5dB	≥16dB	1.70:1	1.50:1	30W	2W

\*Insertion Loss does not include 6 dB theoretical loss

Tolerance:±0.5mm

## Outline Drawing (Unit: mm)



NOTES:

1. ALL SPECIFICATIONS ARE SUBJECT TO CHANGE WITHOUT NOTICE AT ANY TIME
2. CUSTOMER OUTLINE DRAWING FOR REFERENCE ONLY





## Typical Test Result

