



POWER DIVIDER

2-8 GHz
2WAY

Features

- ✓ Frequency up to 8 GHz
- ✓ Low Insertion Loss
- ✓ High Isolation

Specifications

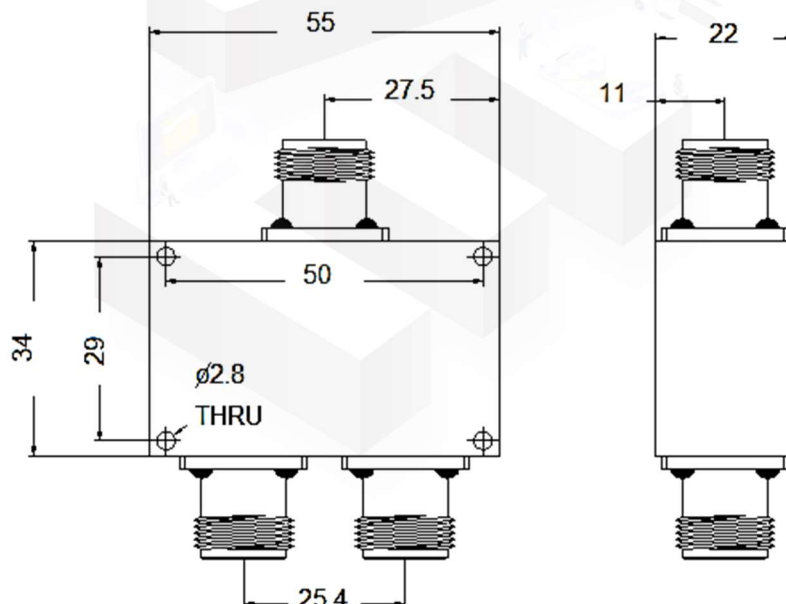
FREQUENCY RANGE: 2-8 GHz
CONNECTOR TYPE: N-TYPE FEMALE
TEMPERATURE RANGE: -40°C TO +80°C
SURFACE FINISH: ALUMINUM, BLUE PAINTING



PART NUMBER	WAYS	INSERTION LOSS (MAX.)	PHASE UNBALANCE	AMPLITUDE UNBALANCE	ISOLATION (MIN.)	VSWR		POWER HANDLING(CW)
						Input	Output	
MVE8582	2WAY	0.80dB	±5°	±0.3 dB	18dB	1.45:1	1.45:1	60W (Forward) 2W (Reverse)

Tolerance:±0.3mm

Outline Drawing (Unit: mm)



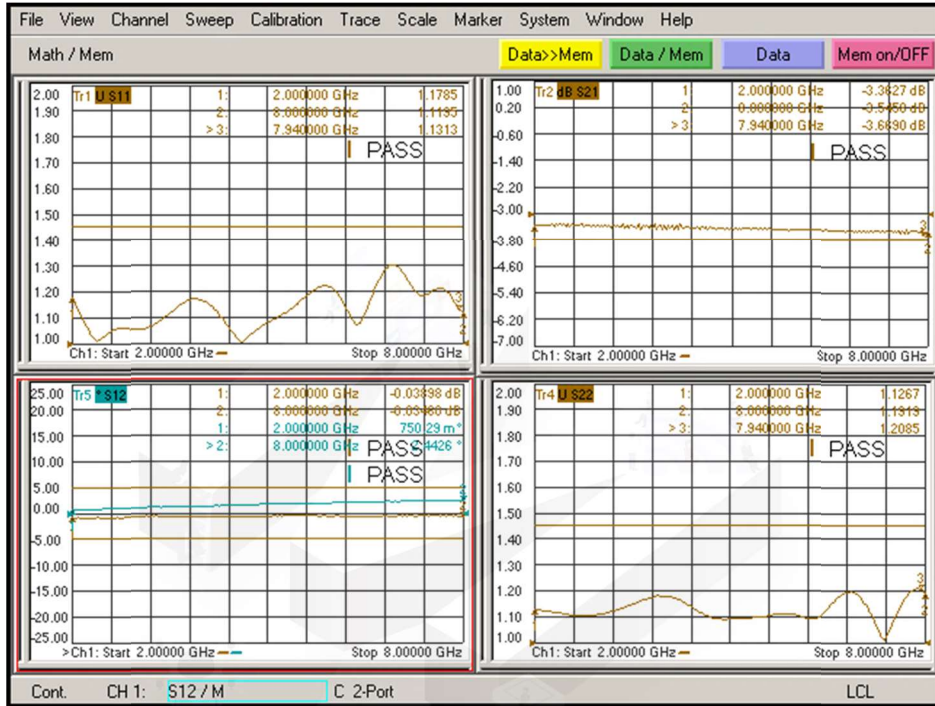
NOTES:
1. ALL SPECIFICATIONS ARE SUBJECT TO CHANGE WITHOUT NOTICE AT ANY TIME
2. CUSTOMER OUTLINE DRAWING FOR REFERENCE ONLY





Typical Test Result

Insertion Loss , VSWR , Amplitude and Phase Balance



Isolation

