



# POWER DIVIDER

**0.5-6GHz**  
**2WAY**

## Features

- ✓ Low VSWR, high Isolation, unconditional stable
- ✓ Broad band operation from 0.5 to 6.0GHz
- ✓ High Isolation



## Specifications

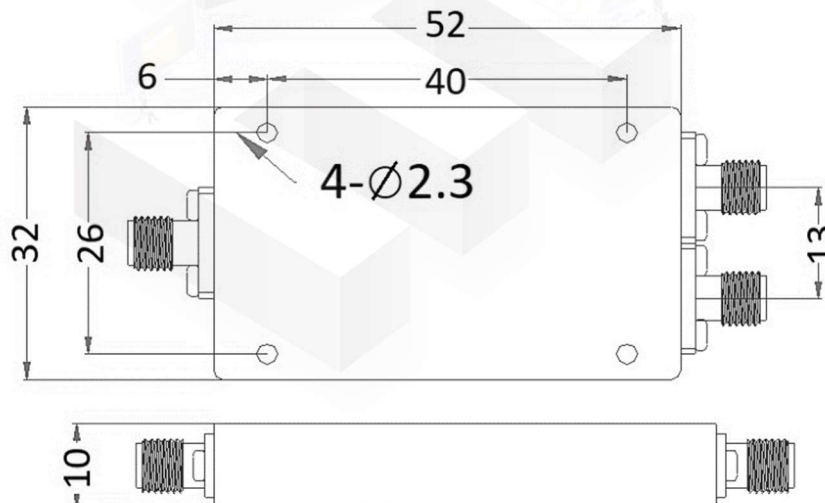
**FREQUENCY RANGE: 0.5-6GHz**  
**CONNECTOR TYPE: SMA FEMALE**  
**TEMPERATURE RANGE: -40°C TO +85°C**

PART NUMBER	WAYS	INSERTION LOSS (MAX)	PHASE UNABLANCE	AMPLITUDE UNBALANCE	ISOLATION (MIN.)	VSWR		POWER HANDLING(CW)	
						Input	Output	Forward	Reverse
MVE8546-1	2WAY	1.0dB	±3°	±0.3dB	20dB	1.4:1	1.3:1	20W	2W

\*Insertion Loss does not include 3dB theoretical loss.

Tolerance:±0.5mm

## Outline Drawing (Unit: mm)



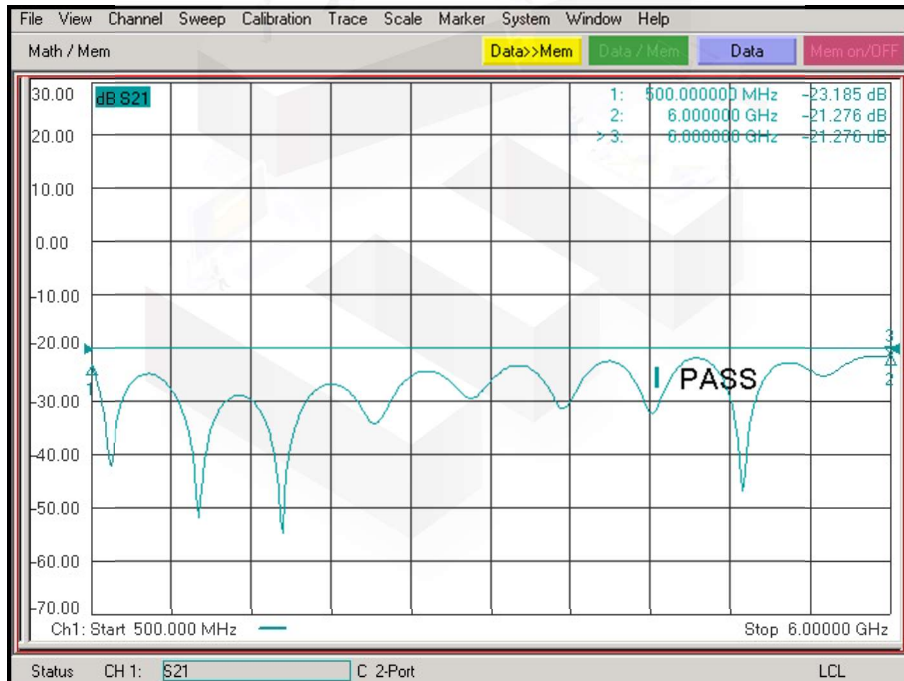
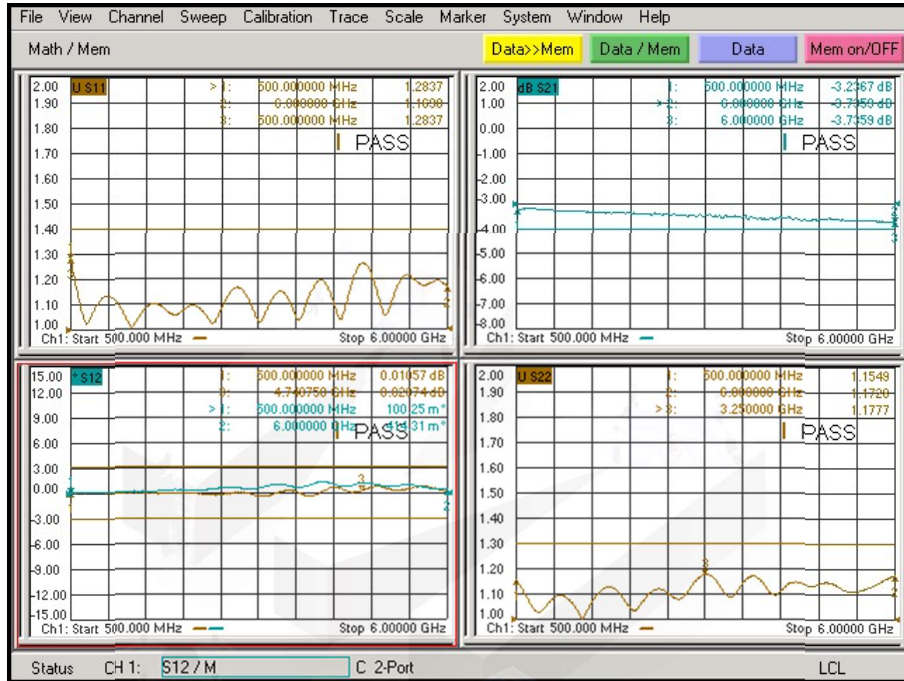
NOTES:

1. ALL SPECIFICATIONS ARE SUBJECT TO CHANGE WITHOUT NOTICE AT ANY TIME
2. CUSTOMER OUTLINE DRAWING FOR REFERENCE ONLY





## Typical Test Result



NOTES:

1. ALL SPECIFICATIONS ARE SUBJECT TO CHANGE WITHOUT NOTICE AT ANY TIME
2. CUSTOMER OUTLINE DRAWING FOR REFERENCE ONLY

