



POWER DIVIDER

0.1-1.5GHz
8WAY

Features

- ✓ Operating Frequency Range Coverage From 0.1GHz to 1.5GHz
- ✓ High Performance
- ✓ Low Insertion Loss

Specifications

FREQUENCY RANGE: 0.1-1.5GHz

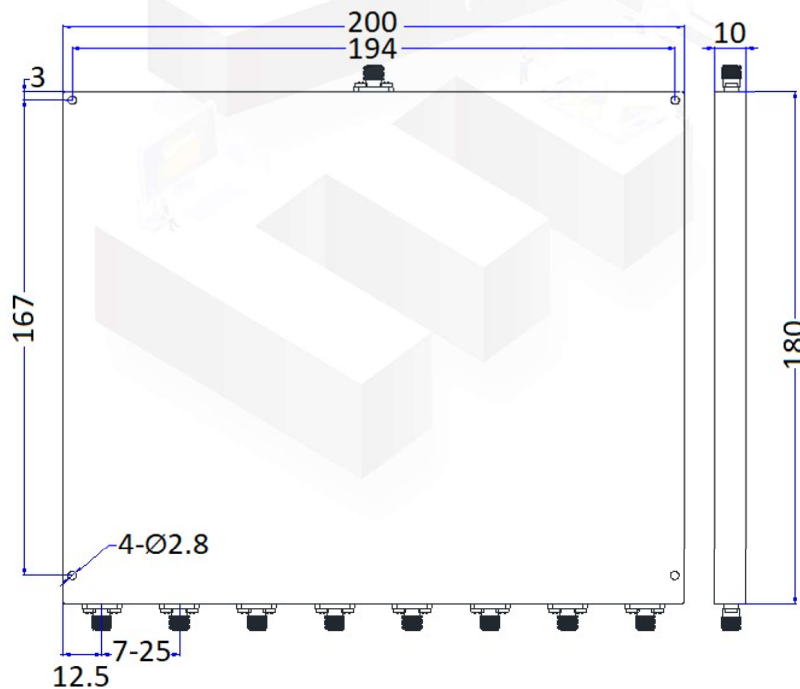
CONNECTOR TYPE: SMA FEMALE

TEMPERATURE RANGE: -40°C TO +80°C

PART NUMBER	WAYS	INSERTION LOSS	ISOLATION	VSWR		POWER HANDLING(CW)	
				Input	Output	Forward	Reverse
MVE8509-8	8WAY	≤4.0dB	≥16dB @ 100-200MHz ≥18dB @ 200-1500MHz	≤1.70:1	≤1.50:1	20W	1W

Tolerance:±0.5mm

Outline Drawing (Unit: mm)



NOTES:

1. ALL SPECIFICATIONS ARE SUBJECT TO CHANGE WITHOUT NOTICE AT ANY TIME
2. CUSTOMER OUTLINE DRAWING FOR REFERENCE ONLY

