



# POWER DIVIDER

**100-1500 MHz**  
**4WAY**

## Features

- ✓ Broadband, low insertion loss, and high isolation
- ✓ Operating temperature -40~+80°C,
- ✓ SMA female connector I/O



## Specifications

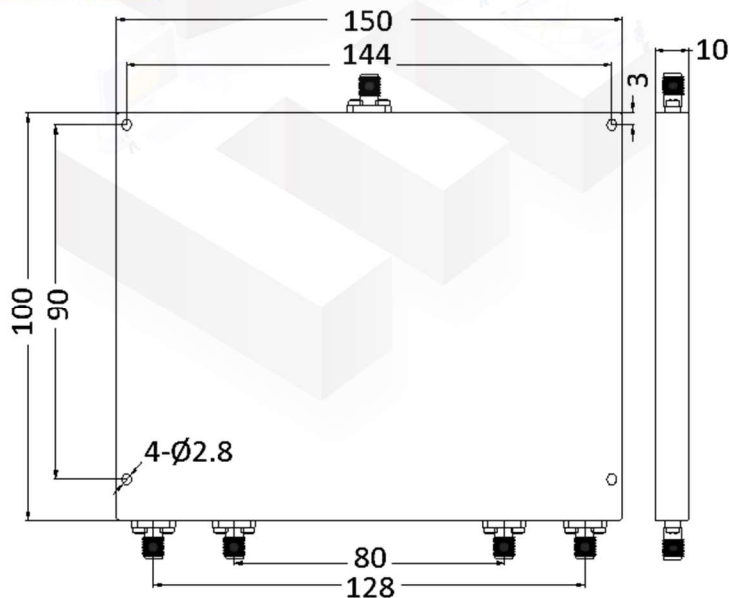
**FREQUENCY RANGE: 0.1-1.5 GHz**  
**CONNECTOR TYPE: SMA FEMALE**  
**TEMPERATURE RANGE: -40°C TO +80°C**  
**SURFACE FINISH: BLUE PAINTING**

PART NUMBER	WAYS	INSERTION LOSS (MAX.)	PHASE UNABLANCE	AMPLITUDE UNBALANCE	ISOLATION (MIN.)	VSWR		POWER HANDLING(CW)	
						Input	Output	Forward	Reverse
MVE8509-4	4WAY	2.4dB*	±4°	±0.4dB	≥17 dB @100-200MHz ≥20 dB @200-1500MHz	1.45:1	1.45:1	20W	2W

\*Insertion Loss does not include 6 dB theoretical loss.

Tolerance:±0.5mm

## Outline Drawing (Unit: mm)



NOTES:

1. ALL SPECIFICATIONS ARE SUBJECT TO CHANGE WITHOUT NOTICE AT ANY TIME
2. CUSTOMER OUTLINE DRAWING FOR REFERENCE ONLY





## Typical Test Result

