



# POWER DIVIDER

**1000-2000MHz**  
**2WAY**

## Features

- ✓ Operating Frequency Range Coverage From 1000MHz to 2000MHz
- ✓ Low VSWR
- ✓ Low Insertion Loss

## Specifications

**FREQUENCY RANGE: 1000-2000MHz**

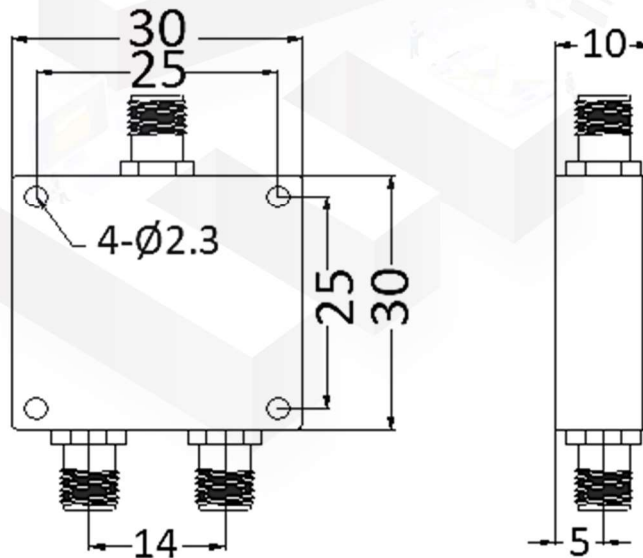
**CONNECTOR TYPE: SMA FEMALE**

**TEMPERATURE RANGE: -40°C TO +80°C**

PART NUMBER	WAYS	INSERTION LOSS	ISOLATION	VSWR		POWER HANDLING(CW)	
				Input	Output	Forward	Reverse
MVE8507	2WAY	≤0.4dB	≥20dB	1.25:1	1.20:1	20W	2W

\*Insertion Loss does not include 3 dB theoretical loss.  
Tolerance:±0.5mm

## Outline Drawing (Unit: mm)



NOTES:

1. ALL SPECIFICATIONS ARE SUBJECT TO CHANGE WITHOUT NOTICE AT ANY TIME
2. CUSTOMER OUTLINE DRAWING FOR REFERENCE ONLY

