



# POWER DIVIDER

**1-200 MHz**  
**2WAY**

## Features

- ✓ Operating Frequency coverage from 1MHz to 200MHz
- ✓ Low Insertion Loss
- ✓ High Isolation



## Specifications:

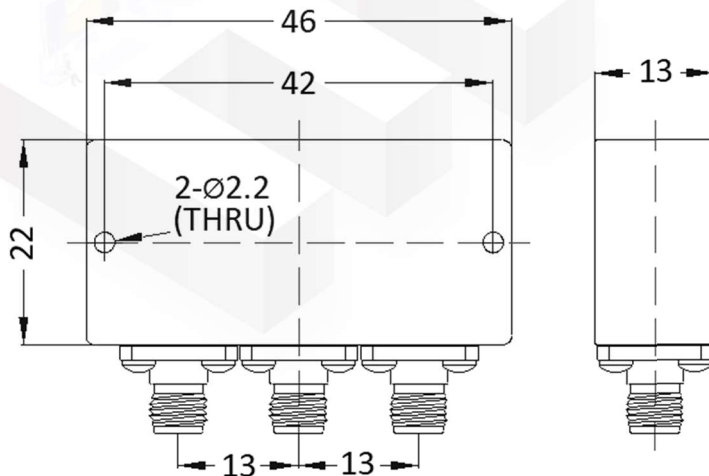
**FREQUENCY RANGE: 1-200 MHz**  
**CONNECTOR TYPE: SMA FEMALE**  
**TEMPERATURE RANGE: -30°C TO +70°C**

PART NUMBER	WAYS	INSERTION LOSS (MAX.)	PHASE BALANCE (MAX.)	AMPLITUDE BALANCE (MAX.)	ISOLATION (MIN.)	VSWR (MAX.)	Power (MAX.)
MVE8505	2WAY	0.4dB	±3.0°	±0.2dB	20dB	1.25:1	1 W (FORWARD)

\*Insertion Loss does not include 3.01 dB theoretical loss.

Tolerance:±0.5mm

## Outline Drawing(Unit: mm)



NOTES:

1. ALL SPECIFICATIONS ARE SUBJECT TO CHANGE WITHOUT NOTICE AT ANY TIME
2. CUSTOMER OUTLINE DRAWING FOR REFERENCE ONLY

