



POWER DIVIDER

2.92 mm Resistive Type DC-40GHz

Features

- ✓ Frequency up to 40GHz
- ✓ Low Insertion Loss
- ✓ 2.92mm Interface



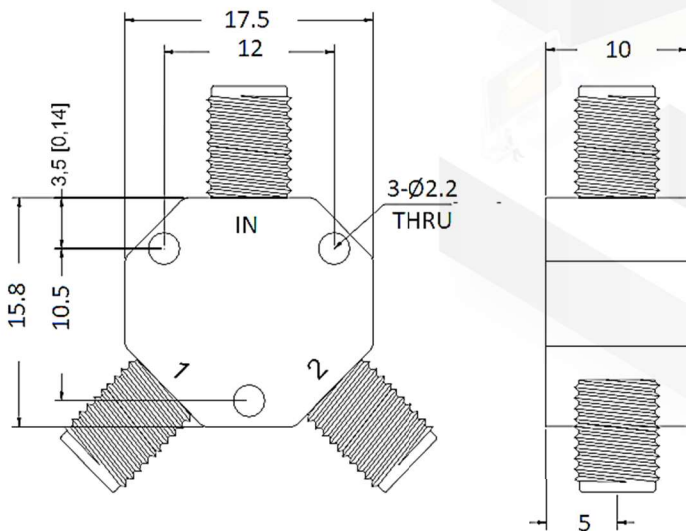
Specifications

FREQUENCY RANGE: DC-40GHz
CONNECTOR TYPE: 2.92mm FEMALE
TEMPERATURE RANGE: -55°C TO +80°C

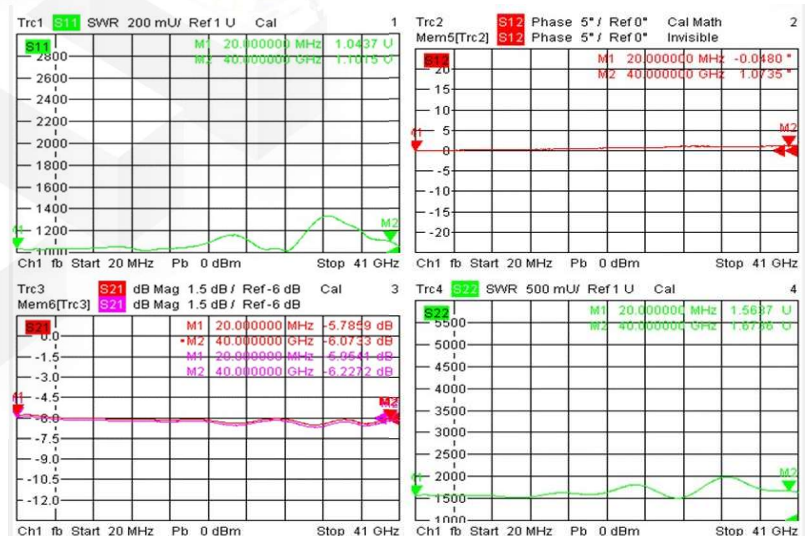
| PART NUMBER | WAYS | INSERTION LOSS (MAX.) | AMPLITUDE BALANCE | PHASE BALANCE | VSWR(MAX.) | | POWER HANDLING |
|-------------|------|-----------------------|-------------------|---------------|------------|--------|----------------|
| | | | | | INPUT | Output | |
| MVE8283 | 2WAY | ≤7.5dB | ±0.4dB | ±5° | 1.50:1 | 2.50:1 | ≤1 Watts |

Tolerance: ±0.5mm

Outline Drawing (Unit: mm)



Typical Test Result



NOTES:
1. ALL SPECIFICATIONS ARE SUBJECT TO CHANGE WITHOUT NOTICE AT ANY TIME
2. CUSTOMER OUTLINE DRAWING FOR REFERENCE ONLY

