



POWER DIVIDER

SMA Resistive Type DC-18GHz

Features

- ✓ Frequency up to 18GHz
- ✓ Low Insertion Loss
- ✓ Low VSWR

Specifications

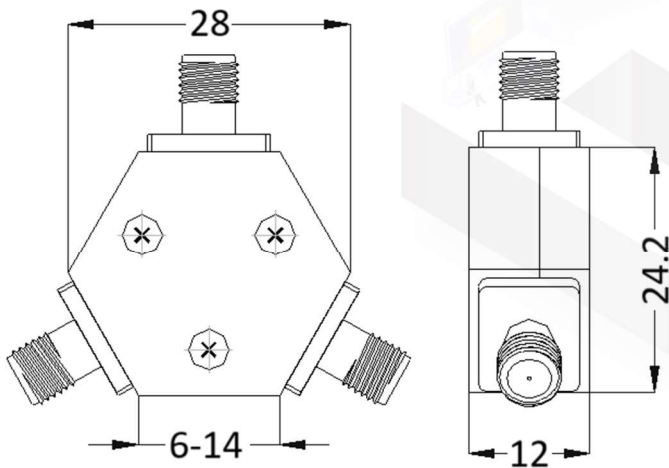
FREQUENCY RANGE: DC-18GHz
CONNECTOR TYPE: SMA FEMALE
TEMPERATURE RANGE: -40°C TO +80°C



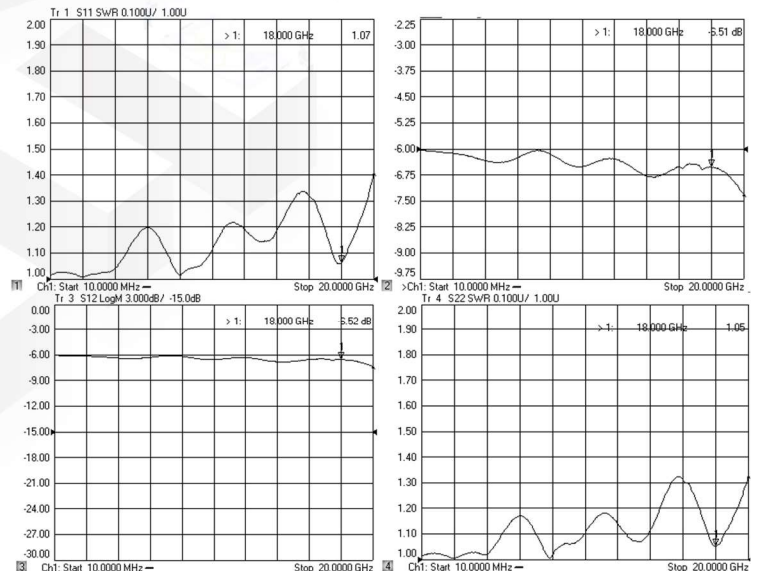
PART NUMBER	WAYS	INSERTION LOSS (MAX)	AMPLITUDE UNBALANCE (MAX)	PHASE UNBALANCE (MAX)	VSWR (MAX)	AVERAGE POWER
MVE8281	2WAY	≤6.0dB±1.5dB	≤±0.8dB	±8°	1.60:1	0.5W

Tolerance: ±0.5mm

Outline Drawing (Unit: mm)



Typical Test Result



NOTES:

1. ALL SPECIFICATIONS ARE SUBJECT TO CHANGE WITHOUT NOTICE AT ANY TIME
2. CUSTOMER OUTLINE DRAWING FOR REFERENCE ONLY

