



COAXIAL ISOLATOR

SMA Series

Features

- ✓ Frequency range: 400~500 MHz
- ✓ Low Insertion Loss
- ✓ Customer specify center frequency and bandwidth

Specifications

Connector Type: SMA FEMALE

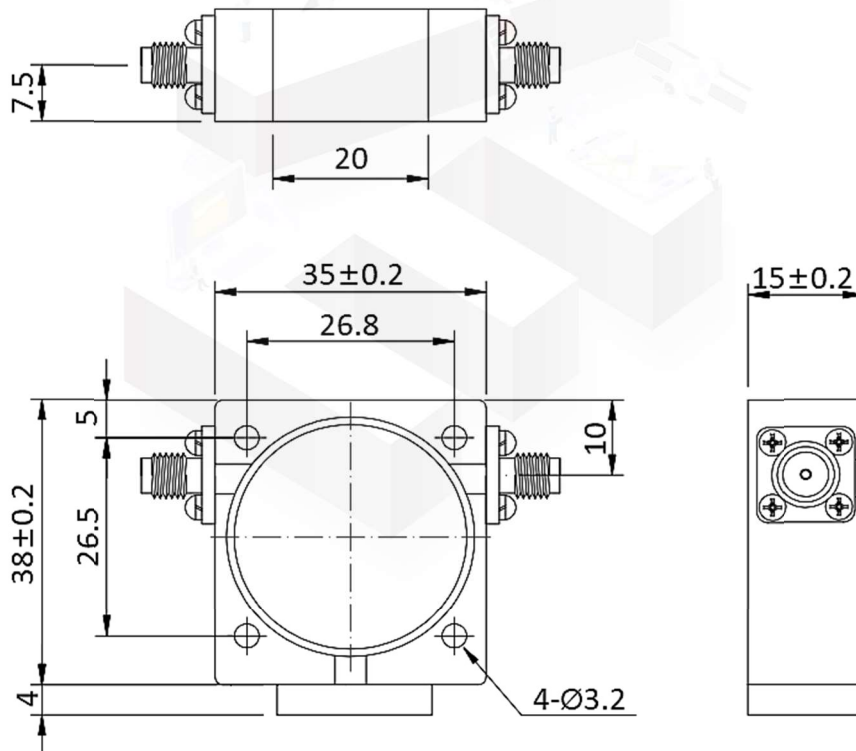
Direction: Clockwise

Operating Temperature: -30 °C ~+75°C

PART NUMBER	FREQUENCY (GHz)	VSWR (Max)	INSERTION LOSS (dB MAX.)	ISOLATION (dB MIN.)	FORWARD POWER	REVERSE POWER	CONNECTOR
MVE7510	400-500MHz	1.25:1	0.5	19	100W	20W	SMA Female

Tolerance: X= ±0.5

Outline Drawing (Unit: mm)



NOTES:

1. ALL SPECIFICATIONS ARE SUBJECT TO CHANGE WITHOUT NOTICE AT ANY TIME
2. CUSTOMER OUTLINE DRAWING FOR REFERENCE ONLY

