



COAXIAL CIRCULATOR

MVE7201

Drop-in Series
2469-2690MHz

Features

- ✓ Frequency range: 2469MHz~2690MHz bandwidth
- ✓ Drop-in configuration
- ✓ Small size, low cost
- ✓ Power handling 10 Watts forward
- ✓ Clockwise default circulation direction
- ✓ Operating temperature -40~+80°C

Specifications

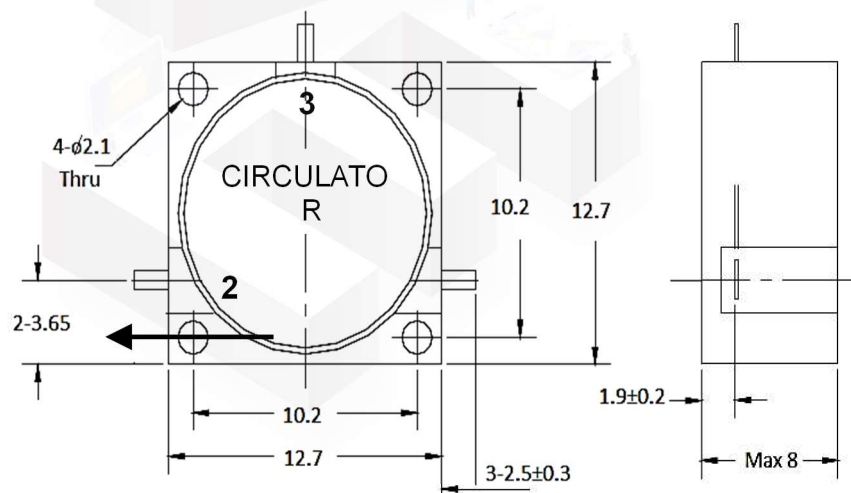
PART NUMBER	FREQUENCY (MHz)	VSWR (Max)	INSERTION LOSS (Max.)	ISOLATION (Min.)	FORWARD POWER		TEMPERATURE
					Avg.	Max	
MVE7201	2496-2690	1.2	0.30 dB	20dB	10W	20W	-40~+80°C

CONNECTOR: Drop-In

SURFACE TREATMENT: Slivery White

Tolerance: ±0.2mm

Outline Drawing (Unit: mm)



NOTES:

1. ALL SPECIFICATIONS ARE SUBJECT TO CHANGE WITHOUT NOTICE AT ANY TIME
2. CUSTOMER OUTLINE DRAWING FOR REFERENCE ONLY

