



COAXIAL CIRCULATOR

8.0-18.0 GHz
SMA Series

Features

- ✓ Frequency range: 8.0-18.0 GHz
- ✓ Low Insertion Loss
- ✓ High Isolation



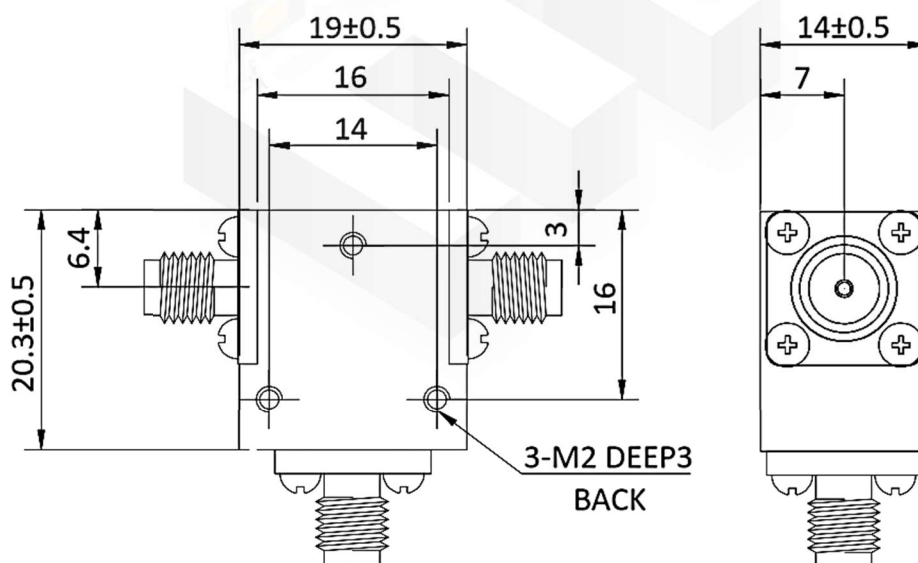
Specifications

Connector Type: SMA FEMALE
Direction: Clockwise
Operating Temperature: 0°C ~+60°C

PART NUMBER	FREQUENCY (GHz)	VSWR (MAX.)	INSERTION LOSS (MAX.)	ISOLATION (MIN.)	FORWARD POWER
MVE7190B	8.0-18.0	1.6:1	1.0dB	13dB	30W CW

Tolerance: ±0.5mm

Outline Drawing (Unit: mm)



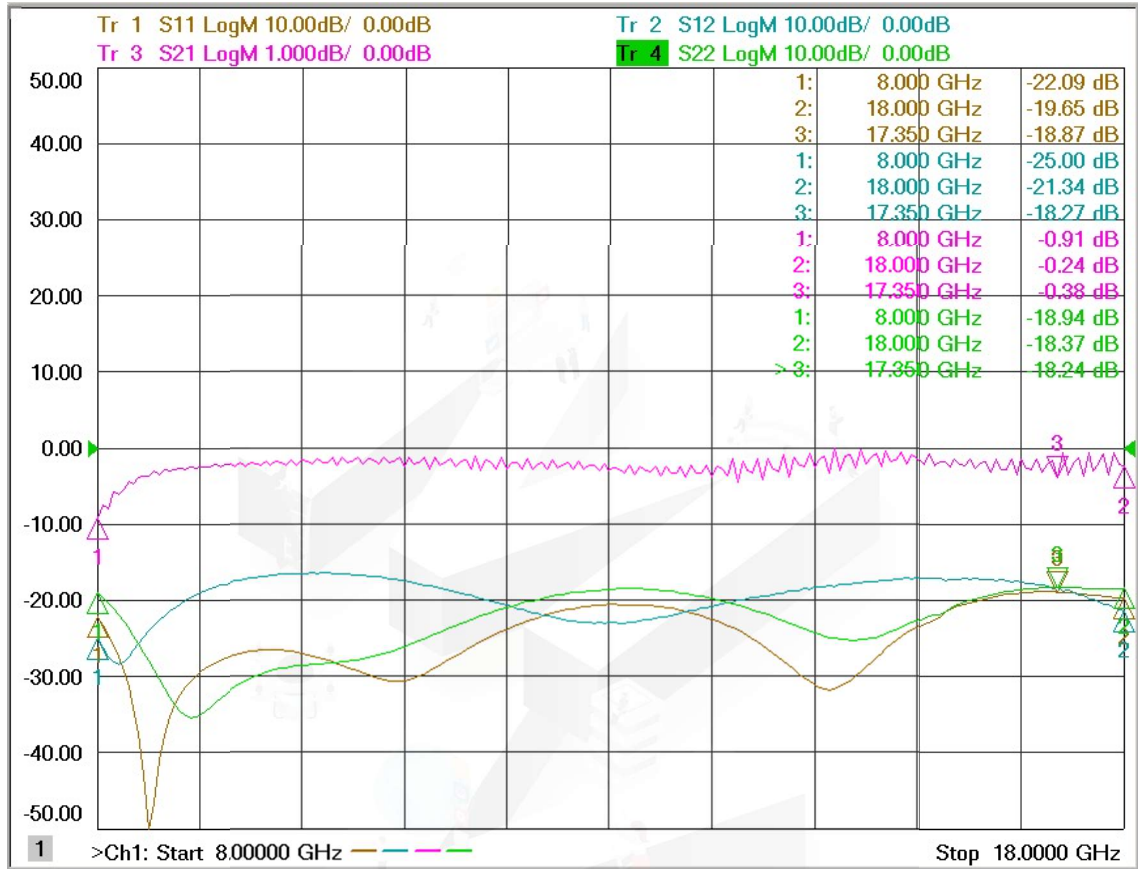
NOTES:

- ALL SPECIFICATIONS ARE SUBJECT TO CHANGE WITHOUT NOTICE AT ANY TIME
- CUSTOMER OUTLINE DRAWING FOR REFERENCE ONLY





Typical Test Result



NOTES:

1. ALL SPECIFICATIONS ARE SUBJECT TO CHANGE WITHOUT NOTICE AT ANY TIME
2. CUSTOMER OUTLINE DRAWING FOR REFERENCE ONLY

