



COAXIAL CIRCULATOR

2.7-3.3 GHz
N Series

Features

- ✓ Frequency range: 2.7GHz-3.3GHz
- ✓ Low Insertion Loss
- ✓ High Power Rating

Specifications

Connector Type: N FEMALE

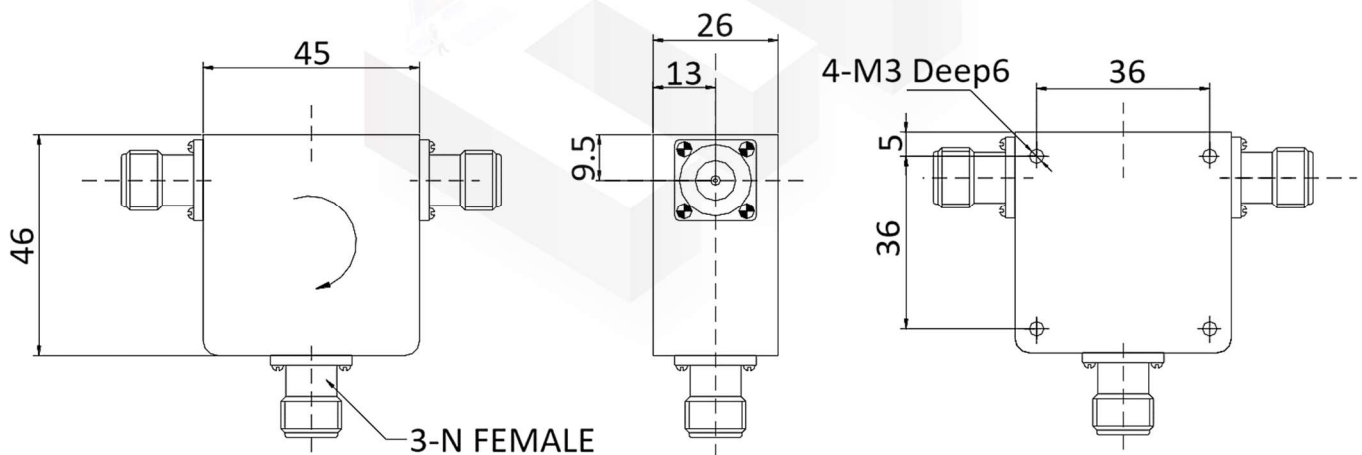
Direction: Clockwise

Forward Power Rating: 500W/CW

PART NUMBER	FREQUENCY (GHz)	VSWR (MAX.)	INSERTION LOSS (MAX.)	ISOLATION (MIN.)	OPERATING TEMPERATURE
MVE7140	2.7-3.3	1.3:1	0.5 dB	18 dB	+25°C
		1.4:1	0.6 dB	16 dB	-30°C~+70°C

Tolerance: ±0.5mm

Outline Drawing (Unit: mm)



NOTES:

1. ALL SPECIFICATIONS ARE SUBJECT TO CHANGE WITHOUT NOTICE AT ANY TIME
2. CUSTOMER OUTLINE DRAWING FOR REFERENCE ONLY

