



COAXIAL CIRCULATOR

225-400MHz
SMA Series

Features

- ✓ Frequency range cover from 225-400MHz
- ✓ Small size, SMA female connector In/out
- ✓ Low VSWR and low insertion loss

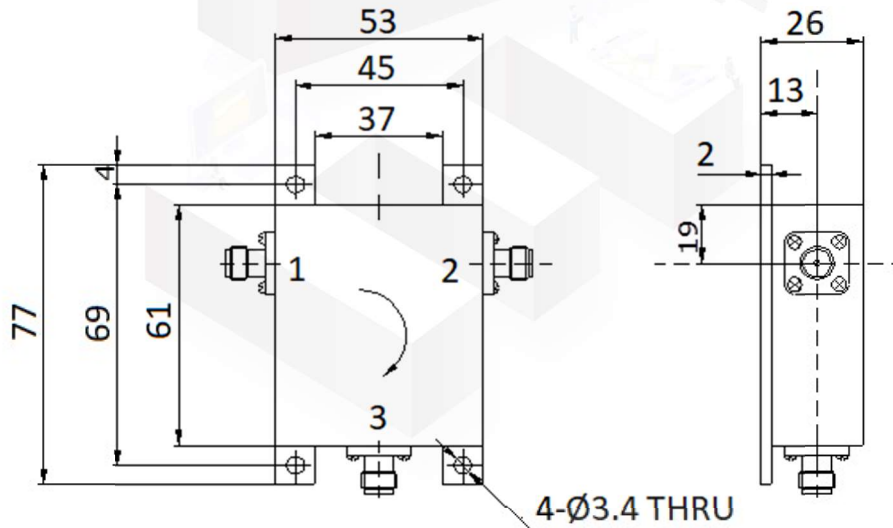
Specifications

CONNECTOR TYPE: SMA FEMALE
DIRECTION: CLOCKWISE 1→2→3

PART NUMBER	FREQUENCY (MHz)	VSWR	INSERTION LOSS	ISOLATION	POWER HANDLING	TEMPERATURE
MVE7138	225-400	$\leq 1.40:1@25^{\circ}\text{C}$ $\leq 1.50:1@-40\sim+70^{\circ}\text{C}$	$\leq 0.9\text{dB}@25^{\circ}\text{C}$ $\leq 1.1\text{dB}@-40\sim+70^{\circ}\text{C}$	$\geq 17\text{dB}@25^{\circ}\text{C}$ $\geq 14\text{dB}@-40\sim+70^{\circ}\text{C}$	50W	$-40\sim+70^{\circ}\text{C}$

Tolerance:±0.15mm

Outline Drawing (Unit: mm)



NOTES:

1. ALL SPECIFICATIONS ARE SUBJECT TO CHANGE WITHOUT NOTICE AT ANY TIME
2. CUSTOMER OUTLINE DRAWING FOR REFERENCE ONLY

