



# COAXIAL CIRCULATOR

**1.5-3.0 GHz**  
**SMA Series**

## Features

- ✓ Frequency range: 1500-3000MHz
- ✓ Low Insertion Loss
- ✓ High Isolation

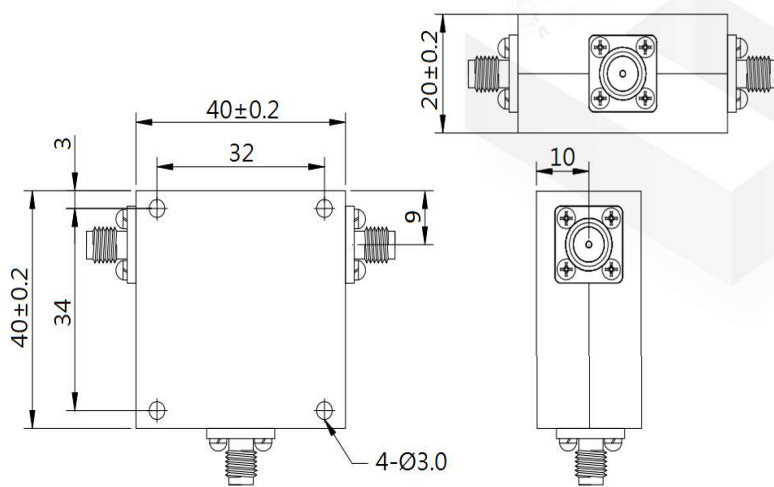


## Specifications

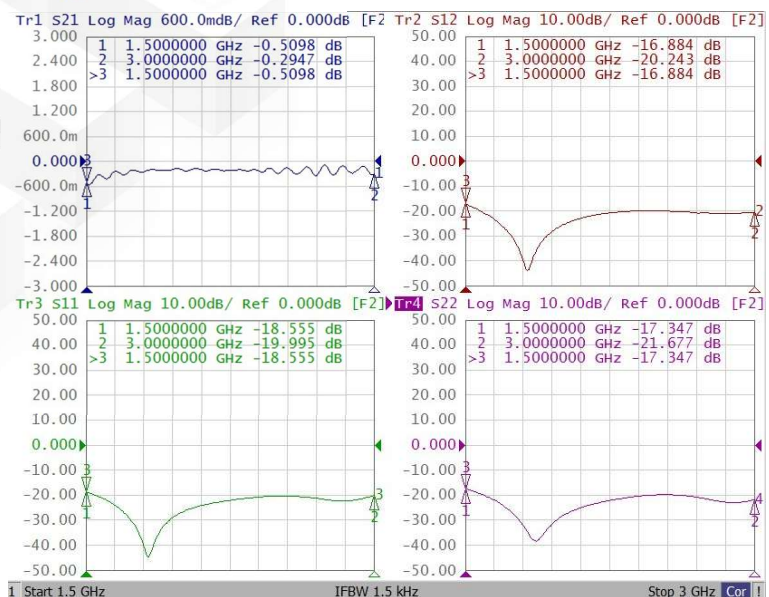
Connector Type: SMA FEMALE  
Direction: Clockwise  
Operating Temperature: -20 °C ~+85°C

PART NUMBER	FREQUENCY (GHz)	VSWR (Max.)	INSERTION LOSS (Max.)	ISOLATION (Min.)	FORWARD POWER
MVE7135B	1.5 – 3.0	1.35:1(0~+60°C) 1.58:1(-20~+85°C)	0.6 dB(0~+60°C) 0.8 dB(-20~+85°C)	17 dB(0~+60°C) 14 dB(-20~+85°C)	100W CW

Tolerance: ±0.5mm  
**Outline Drawing (Unit: mm)**



## Typical Test Result



NOTES:  
1. ALL SPECIFICATIONS ARE SUBJECT TO CHANGE WITHOUT NOTICE AT ANY TIME  
2. CUSTOMER OUTLINE DRAWING FOR REFERENCE ONLY

