

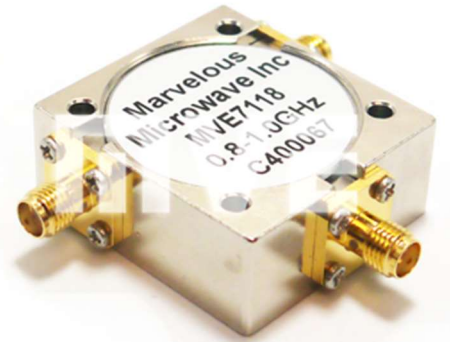


COAXIAL CIRCULATOR

SMA Series

Features

- ✓ Frequency Range: 800-1000 MHz
- ✓ High Isolation
- ✓ Low VSWR



Specifications

CONNECTOR TYPE: SMA FEMALE

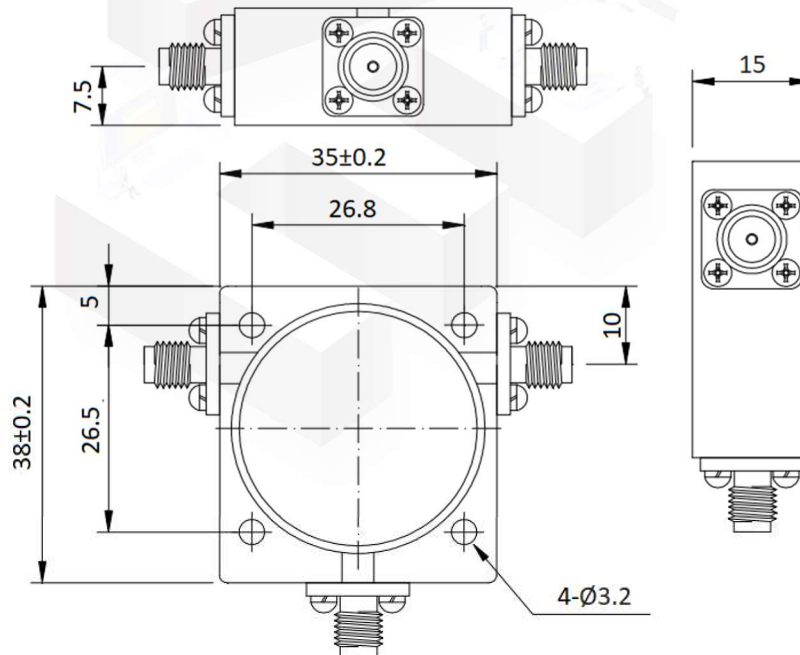
Direction: Clockwise

Operating Temperature: -30 °C ~+75°C

PART NUMBER	FREQUENCY (GHz)	VSWR (MAX.)	INSERTION LOSS (MAX.)	ISOLATION (dB MIN.)	Forward Power
MVE7118	0.8-1.0	1.25:1	0.4dB	20dB	100W CW

Tolerance: X= ±0.5

Outline Drawing (Unit: mm)



NOTES:

1. ALL SPECIFICATIONS ARE SUBJECT TO CHANGE WITHOUT NOTICE AT ANY TIME
2. CUSTOMER OUTLINE DRAWING FOR REFERENCE ONLY





Typical Test Result

