



DC BLOCK

75ohm F Type
10MHz-3000MHz

Features

- ✓ Frequency Range:10MHz to 3000MHz
- ✓ 75ohm Impedance
- ✓ Low insertion loss

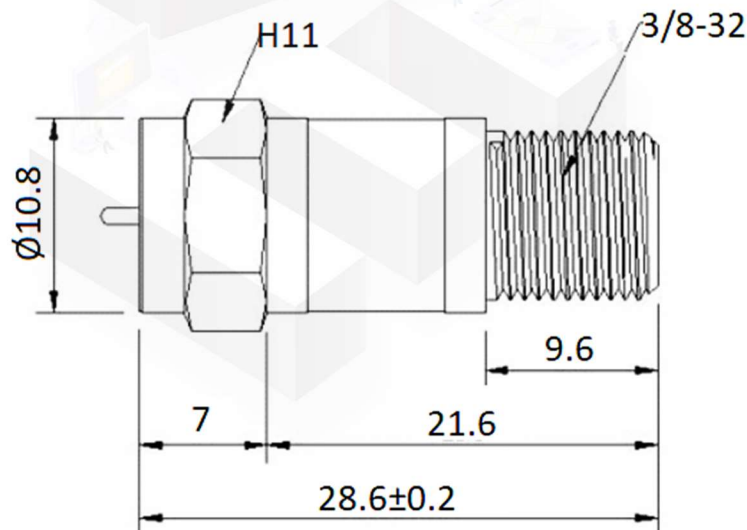


Specifications

PART NUMBER	MVE6187
DESCRIPTION	75ohm F M/F In/Out 100V DC Block, 0.001-3GHz
ELECTRICAL	
FREQUENCY: 0.001-3GHz IMPEDANCE: 75ohm INSERTION LOSS: 1.5dB MAX. RETURN LOSS: 10dB MIN. VOLTAGE: 100V	
MATERIALS	
BODY: BRASS, NICKEL PLATED	

Tolerance: ±0.5mm

Outline Drawing (Unit: mm)



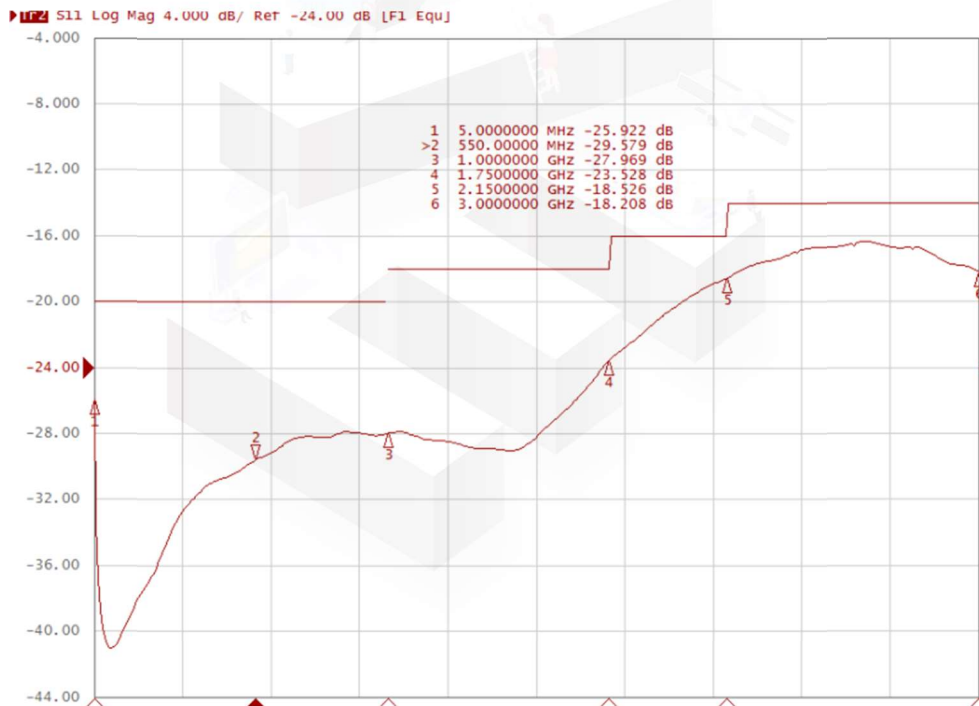
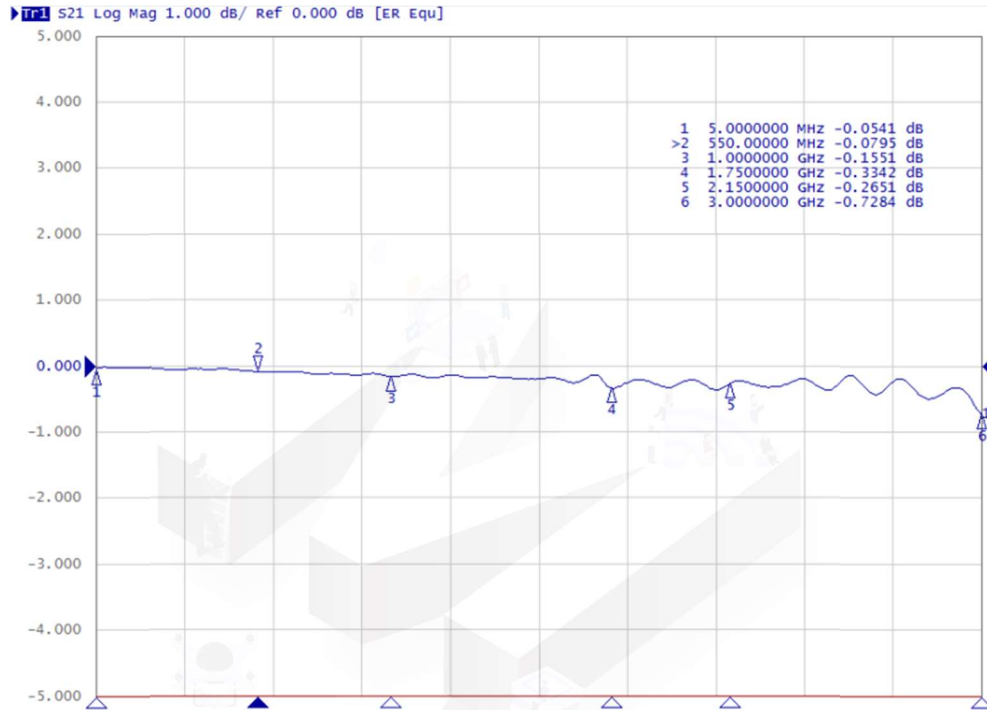
NOTES:

1. ALL SPECIFICATIONS ARE SUBJECT TO CHANGE WITHOUT NOTICE AT ANY TIME
2. CUSTOMER OUTLINE DRAWING FOR REFERENCE ONLY





Typical Test Result



NOTES:

1. ALL SPECIFICATIONS ARE SUBJECT TO CHANGE WITHOUT NOTICE AT ANY TIME
2. CUSTOMER OUTLINE DRAWING FOR REFERENCE ONLY

