



DC BLOCK

N Series 0.01-18GHz

Features

- ✓ Frequency up to 18 GHz
- ✓ Low Insertion Loss
- ✓ Low VSWR

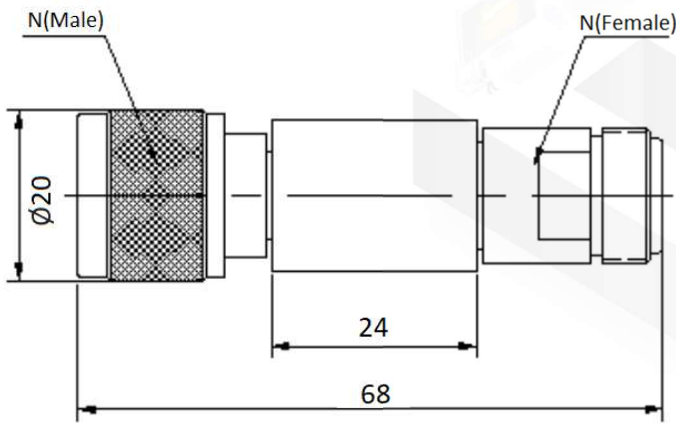


Specifications

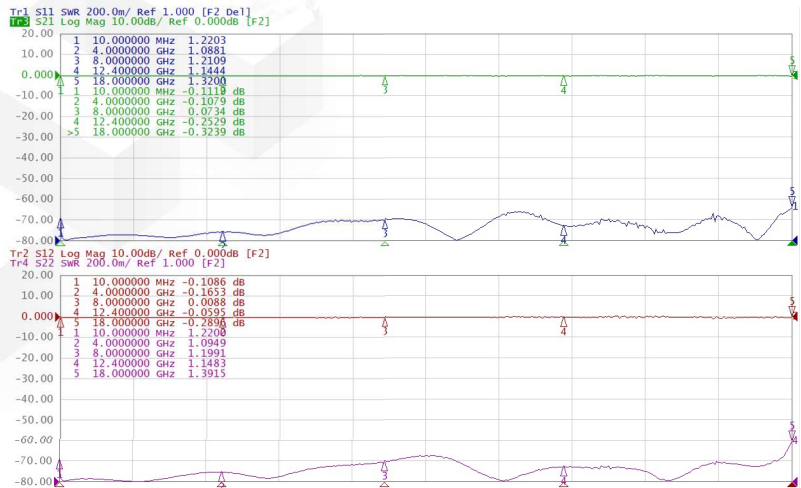
PART NUMBER	MVE6152
DESCRIPTION	N M/F Inner 100V DC Block 0.01-18GHz
ELECTRICAL	
FREQUENCY: 0.01-18GHz IMPEDANCE: 50 Ohms INSERTION LOSS: 0.8dB MAX. VSWR: 1.40:1MAX. WORKING VOLTAGE: 100V MAX. TEMPURATURE RANGE: -55°C~+ 100°C	
MATERIALS/ MACHANICAL	
CONNECTOR: BRASS, NICKEL PLATED MALE PIN: BRASS, GOLD PLATED FEMALE PIN: BE CU, GOLD PLATED HOUSING: ALUMINUM (ALUMINUM SCRATCHES MORE EASILY THAN MORE DURABLE MATERIALS.)	

Tolerance: ±5%

Outline Drawing (Unit: mm)



Typical Test Result



NOTES:

1. ALL SPECIFICATIONS ARE SUBJECT TO CHANGE WITHOUT NOTICE AT ANY TIME
2. CUSTOMER OUTLINE DRAWING FOR REFERENCE ONLY

