



# DC BLOCK

## SMA Series 0.03-27GHz

### Features

- ✓ Frequency up to 27 GHz
- ✓ 50V Protect DC Block
- ✓ Low VSWR & Insertion Loss

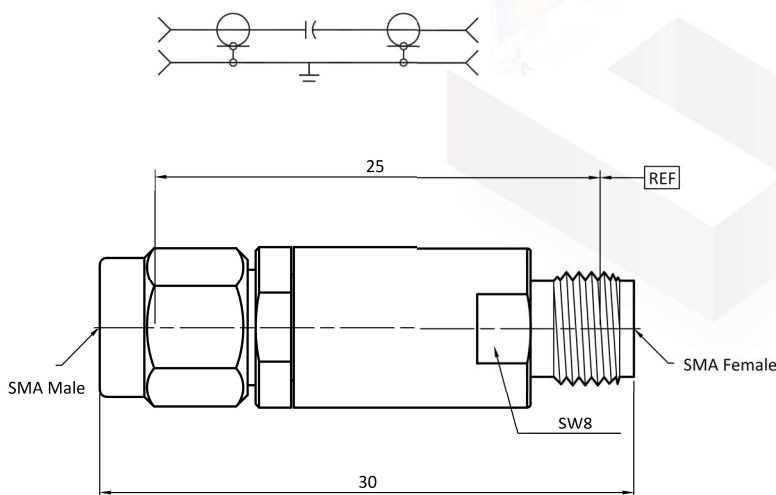


### Specifications:

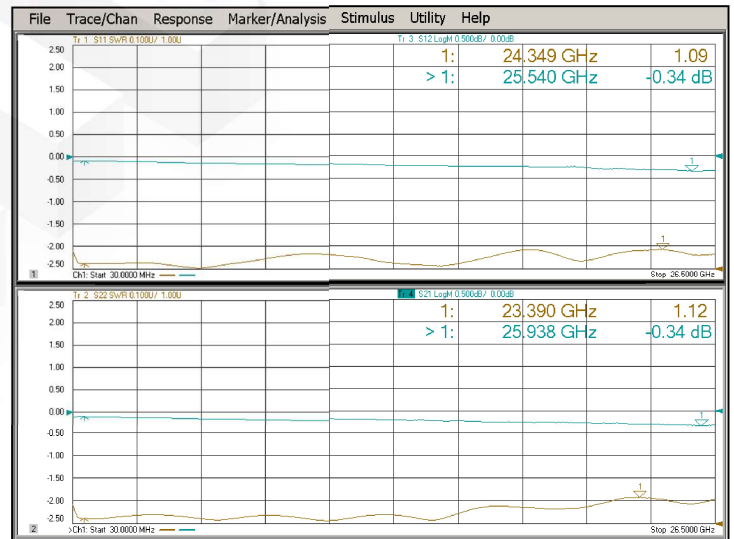
<b>PART NUMBER</b>	MVE6116
<b>DESCRIPTION</b>	SMA M/F Inner 50V DC Block, 0.03-27GHz /Stainless
<b>ELECTRICAL</b>	
FREQUENCY : 0.03-27GHz IMPEDANCE: 50 Ohms INSERTION LOSS: 0.8dB MAX. VSWR: 1.20:1 MAX. WORKING VOLTAGE: 50V	
<b>MATERIALS</b>	
CONNECTOR: STAINLESS STEEL, PASSIVATED CENTER CONTACT: BERYLLIUM COPPER, GOLD PLATED INSULATOR: PTFE&PEI	

Tolerance: ±0.5mm

### Outline Drawing (Unit: mm)



### Typical Test Result



**NOTES:**

1. ALL SPECIFICATIONS ARE SUBJECT TO CHANGE WITHOUT NOTICE AT ANY TIME
2. CUSTOMER OUTLINE DRAWING FOR REFERENCE ONLY

