



TERMINATION

18GHz SMA
10Watts

Features

- ✓ Frequency up to 18GHz
- ✓ Low VSWR
- ✓ High performance design

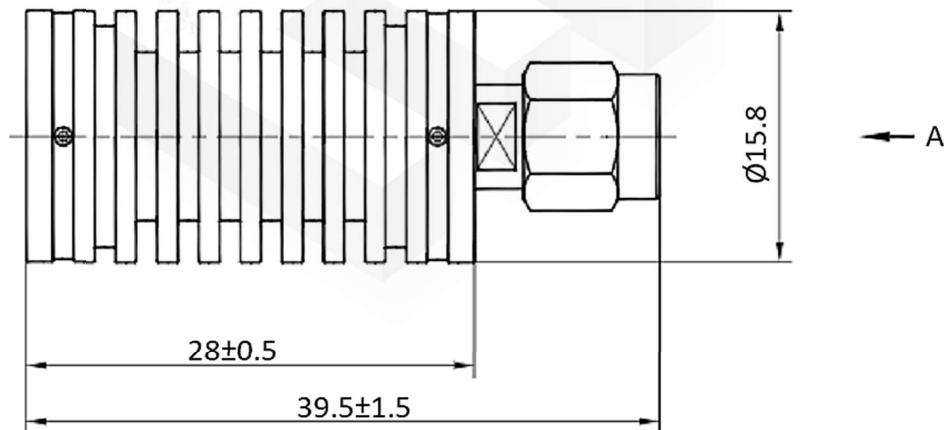


Specifications

PART NUMBER	MVE5175
DESCRIPTION	SMA Male Termination, 10W DC-18GHz
ELECTRICAL	
FREQUENCY: DC-18GHz IMPEDANCE: 50 Ohms VSWR: 1.30:1 MAX. POWER RATING: 10W@25°C TEMPERATURE RANGE: -55~125°C	
MATERIALS	
CONNECTOR: STAINLESS STEEL, PASSIVATED BODY: ALUMINUM, BLACK PLATED	

Tolerance: ±0.5mm

Outline Drawing (Unit: mm)



NOTES:

1. ALL SPECIFICATIONS ARE SUBJECT TO CHANGE WITHOUT NOTICE AT ANY TIME
2. CUSTOMER OUTLINE DRAWING FOR REFERENCE ONLY





Typical Test Result

