



TERMINATION

6GHz SMA
10Watt

Features

- ✓ Frequency Range: DC to 6 GHz
- ✓ Low VSWR
- ✓ High performance design

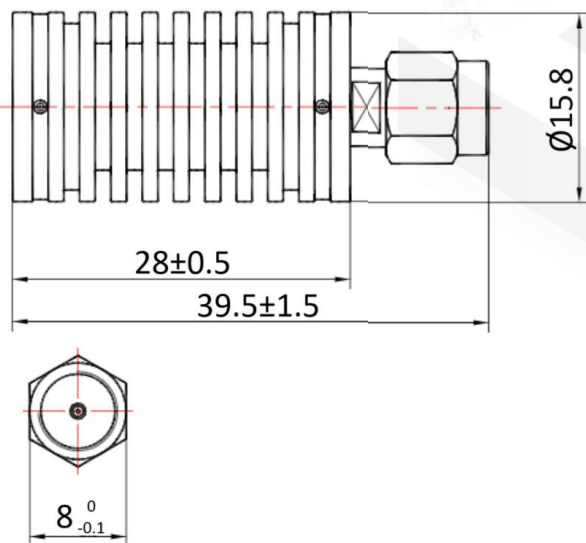


Specifications

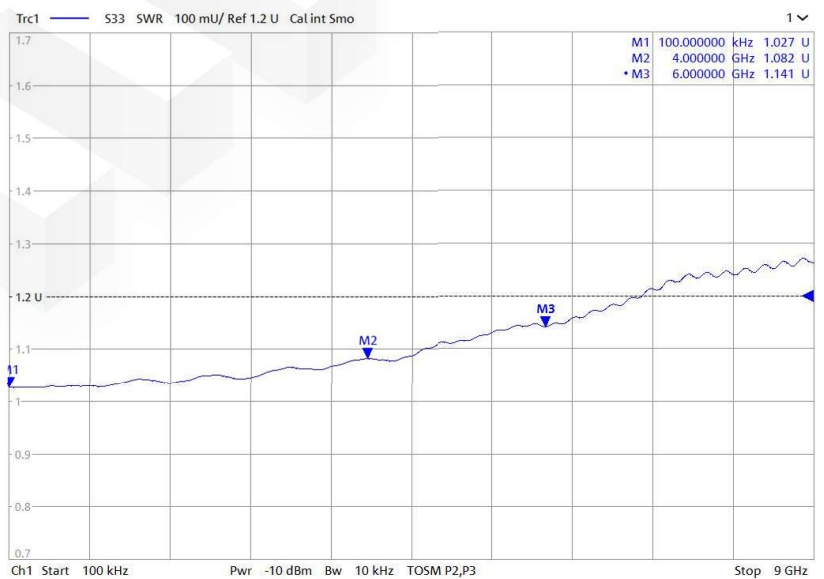
PART NUMBER	MVE5114B
DESCRIPTION	SMA Male Termination, 10W DC-6GHz
ELECTRICAL	
FREQUENCY: DC-6GHz IMPEDANCE: 50ohm VSWR: 1.15:1 MAX.@DC-4GHz 1.20:1 MAX.@4-6GHz TEMPERATURE RANGE:-55~125°C POWER RATING:10W@25°C	
MATERIALS	
CONNECTOR: STAINLESS STEEL, PASSIVATED BODY: ALUMINUM, BLACK ANODIZE	

Tolerance: ±0.5mm

Outline Drawing (Unit: mm)



Typical Test Result



NOTES:
1. ALL SPECIFICATIONS ARE SUBJECT TO CHANGE WITHOUT NOTICE AT ANY TIME
2. CUSTOMER OUTLINE DRAWING FOR REFERENCE ONLY

