



180° HYBRID COUPLER

2-4GHz
SMA Series

Features

- ✓ Frequency Range: 2-4GHz
- ✓ Low Insertion Loss
- ✓ Low VSWR

Specifications

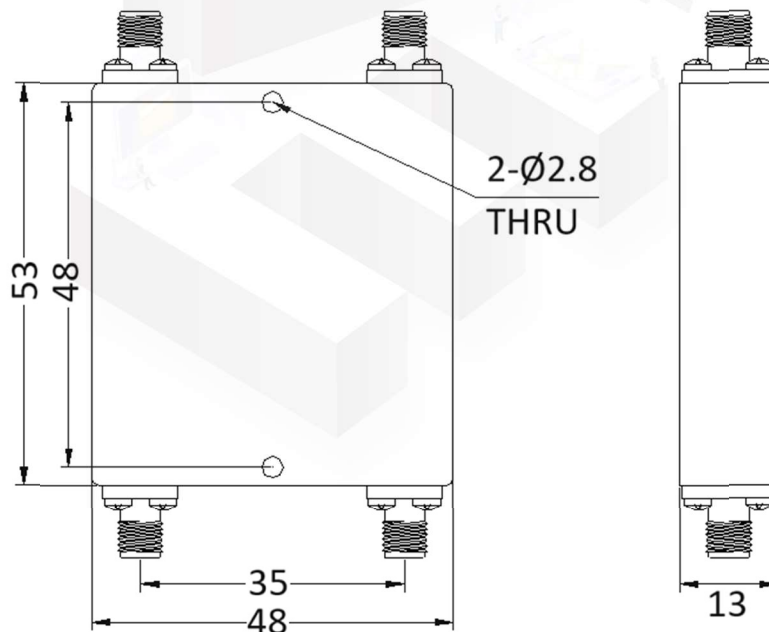
FREQUENCY RANGE: 2-4 GHz
CONNECTOR TYPE: SMA FEMALE
TEMPERATURE RANGE: -45°C TO +85°C

PART NUMBER	INSERTION LOSS	VSWR	AMPLITUDE BALANCE	PHASE BALANCE	ISOLATION	AVERAGE POWER
MVE4938-03	0.6dB MAX.	1.6:1 MAX.	±0.5dB	±10°	20dB MIN.	50W

*Insertion Loss does not include 3 dB theoretical loss.

Tolerance: ±0.5mm

Outline Drawing (Unit: mm)



NOTES:

1. ALL SPECIFICATIONS ARE SUBJECT TO CHANGE WITHOUT NOTICE AT ANY TIME
2. CUSTOMER OUTLINE DRAWING FOR REFERENCE ONLY