



90° HYBRID COUPLER

6-18GHz
SMA Series

Features

- ✓ Frequency Range:6-18GHz
- ✓ Low Insertion Loss
- ✓ Low VSWR

Specifications

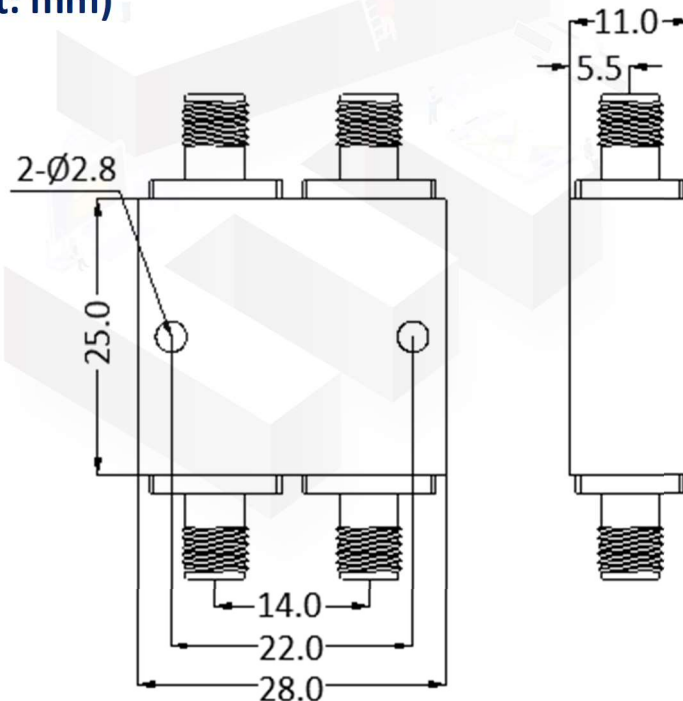
FREQUENCY RANGE: 6-18 GHz
CONNECTOR TYPE: SMA FEMALE
TEMPERATURE RANGE: -40°C TO +80°C

PART NUMBER	INSERTION LOSS (MAX.)	VSWR (MAX.)	AMPLITUDE BALANCE (MAX.)	PHASE BALANCE	ISOLATION (MIN.)	Average Power
MVE4936-03	1.8dB	1.4:1	±1.0dB	±5°	15dB	50W

*Insertion Loss does not include 3 dB theoretical loss.

Tolerance: ±0.5mm

Outline Drawing (Unit: mm)



NOTES:

1. ALL SPECIFICATIONS ARE SUBJECT TO CHANGE WITHOUT NOTICE AT ANY TIME
2. CUSTOMER OUTLINE DRAWING FOR REFERENCE ONLY