



DIRECTIONAL COUPLER

2-8GHz
SMA Series

Features

- ✓ Low Insertion Loss
- ✓ Low VSWR
- ✓ High Directivity

Specifications

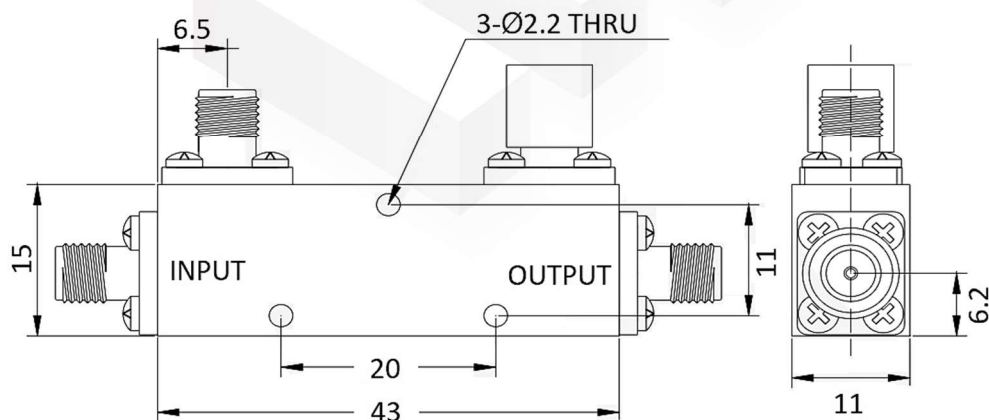
FREQUENCY RANGE: 2-8 GHz
CONNECTOR TYPE: SMA FEMALE
TEMPERATURE RANGE: -45°C TO +80°C
RELATIVE HUMIDITY: 0~90%

PART NUMBER	NOMINAL COUPLING (dB)	FREQUENCY SENSITIVITY(dB) MAX.	INSERTION LOSS (dB) MAX.	DIRECTIVITY (dB)MIN.	VSWR MAX.	AVERAGE POWER
MVE4622-13	13±1	±1.0	0.5*	20	1.25:1	50W

*Insertion Loss does not include 0.45 dB theoretical loss.

Tolerance: ±0.5mm

Outline Drawing (Unit: mm)



NOTES:

1. ALL SPECIFICATIONS ARE SUBJECT TO CHANGE WITHOUT NOTICE AT ANY TIME
2. CUSTOMER OUTLINE DRAWING FOR REFERENCE ONLY

