



DIRECTIONAL COUPLER

2-8GHz
SMA Series

Features

- ✓ Frequency Range: 2 to 8 GHz
- ✓ Full Frequency Bandwidth
- ✓ High Directivity
- ✓ Low VSWR



Specifications

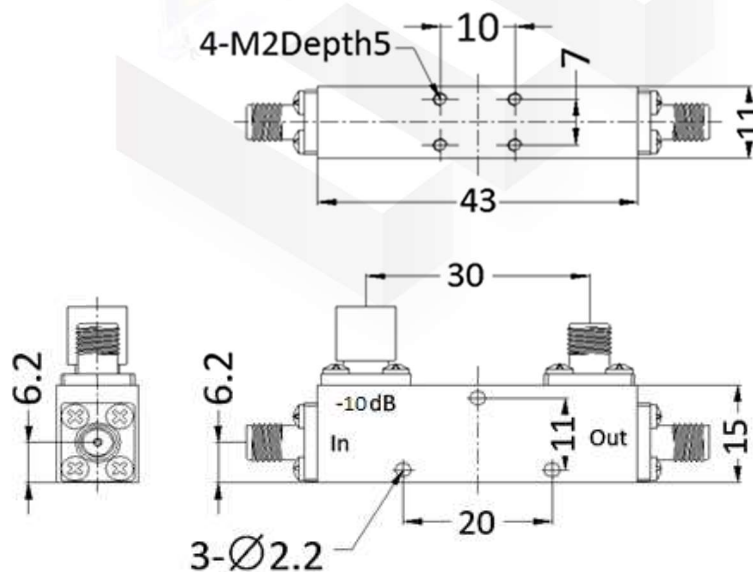
FREQUENCY RANGE: 2-8 GHz
CONNECTOR TYPE: SMA FEMALE
TEMPERATURE RANGE: -45°C TO +80°C

PART NUMBER	NOMINAL COUPLING	COUPLING SENSITIVITY MAX.	INSERTION LOSS MAX.	DIRECTIVITY MIN.	VSWR MAX.	AVERAGE POWER
MVE4622-10	10±1 dB	±1.0 dB	0.5 dB *	20 dB	1.20:1	50W

*Insertion Loss does not include 0.45 dB theoretical loss.

Tolerance: ±0.5mm

Outline Drawing (Unit: mm)



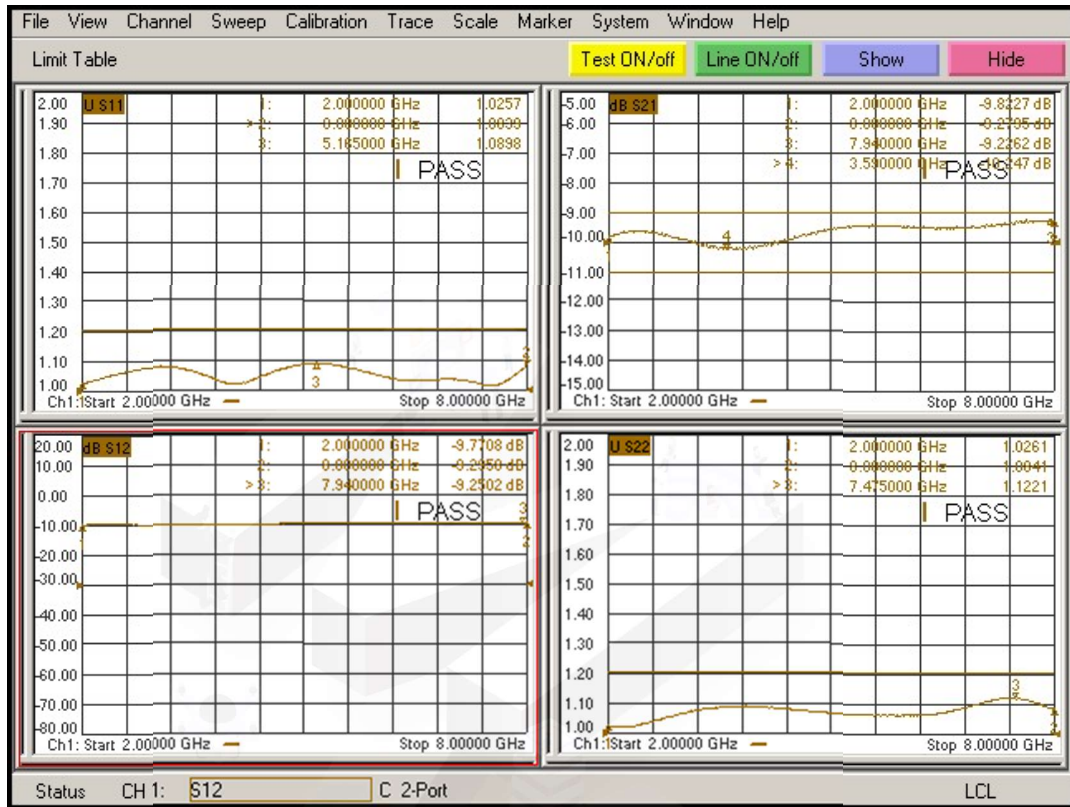
NOTES:

1. ALL SPECIFICATIONS ARE SUBJECT TO CHANGE WITHOUT NOTICE AT ANY TIME
2. CUSTOMER OUTLINE DRAWING FOR REFERENCE ONLY

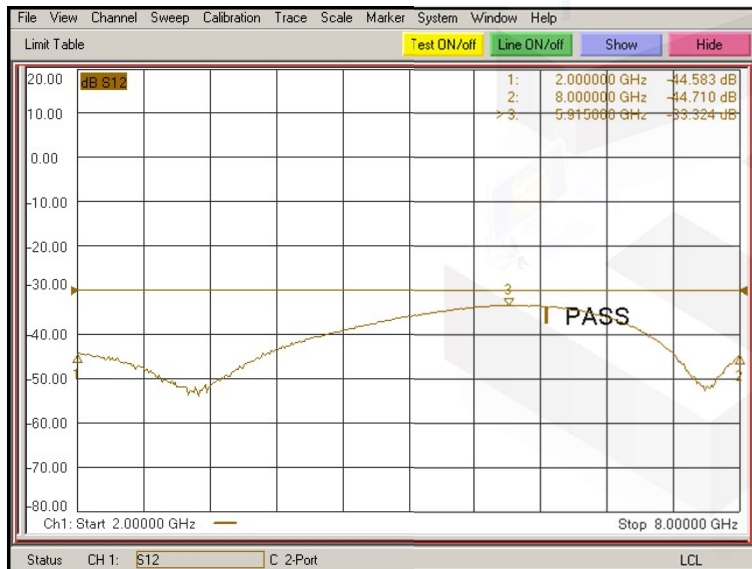




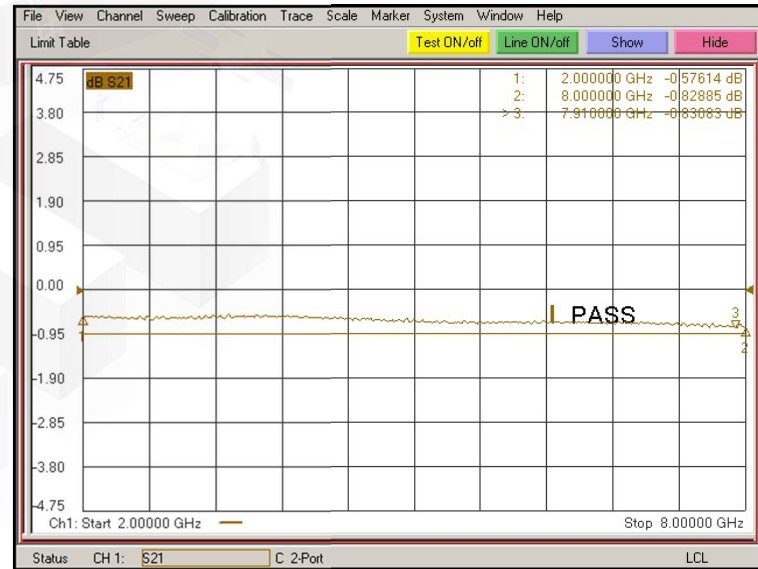
Typical Test Result



Coupling Flatness VSWR



Directivity



Insertion Loss

NOTES:

1. ALL SPECIFICATIONS ARE SUBJECT TO CHANGE WITHOUT NOTICE AT ANY TIME
2. CUSTOMER OUTLINE DRAWING FOR REFERENCE ONLY

