



DIRECTIONAL COUPLER

2-8GHz
SMA Series

Features

- ✓ Frequency up to 8 GHz
- ✓ High Directivity
- ✓ Low VSWR



Specifications

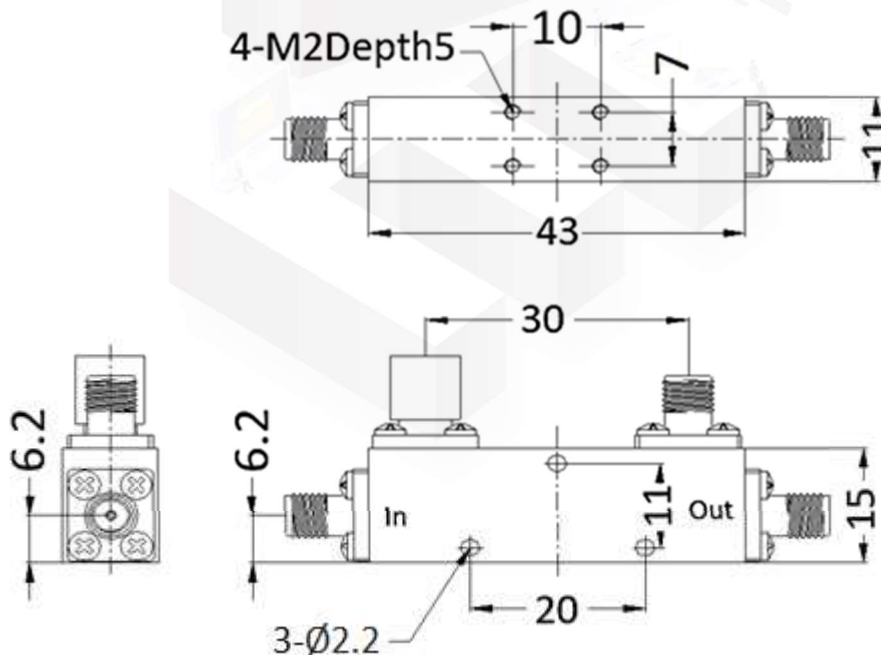
FREQUENCY RANGE: 2-8 GHz
CONNECTOR TYPE: SMA FEMALE
TEMPERATURE RANGE: -40°C TO +80°C

PART NUMBER	NOMINAL COUPLING (dB)	FREQUENCY SENSITIVITY (dB)	INSERTION LOSS (dB) MAX.	DIRECTIVITY (dB)MIN.	VSWR MAX.	AVERAGE POWER
MVE4622-06	6±1	±0.7	0.5*	20	1.20:1	50W

*Insertion Loss does not include 1.3 dB theoretical loss.

Tolerance: X= ±0.5

Outline Drawing (Unit: mm)

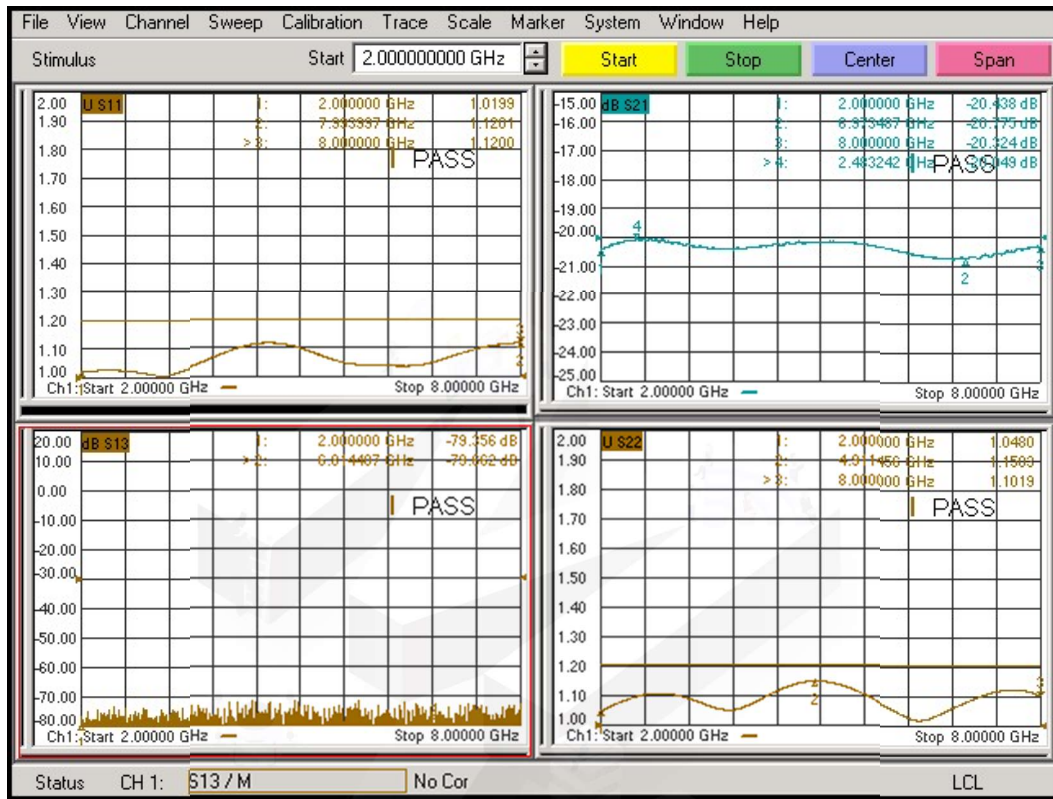


NOTES:
1. ALL SPECIFICATIONS ARE SUBJECT TO CHANGE WITHOUT NOTICE AT ANY TIME
2. CUSTOMER OUTLINE DRAWING FOR REFERENCE ONLY

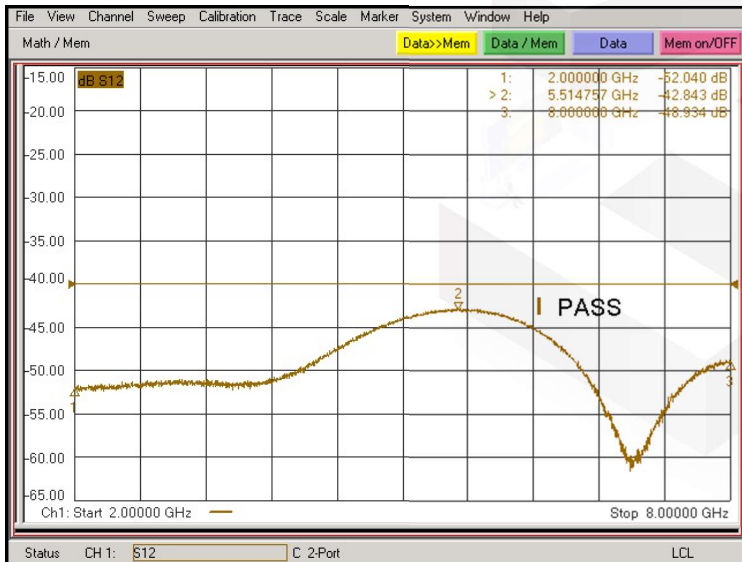




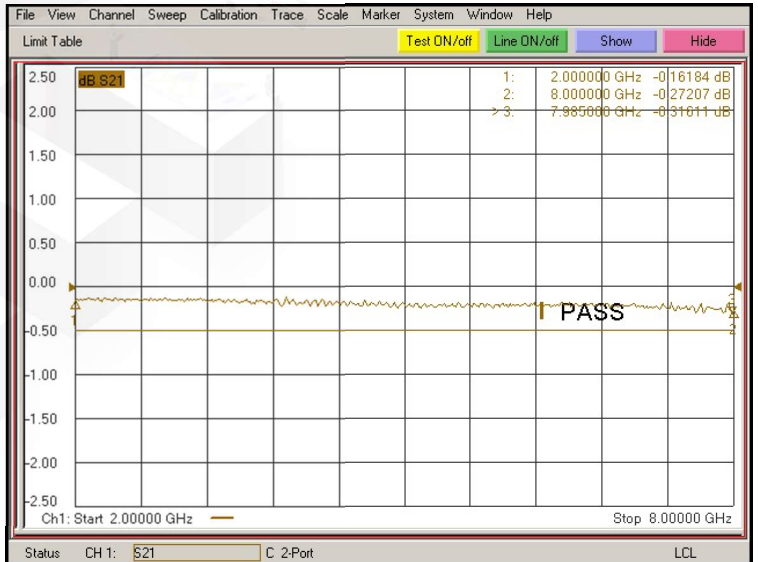
Typical Test Result



Coupling Flatness VSWR



Directivity



Insertion Loss

NOTES:

1. ALL SPECIFICATIONS ARE SUBJECT TO CHANGE WITHOUT NOTICE AT ANY TIME
2. CUSTOMER OUTLINE DRAWING FOR REFERENCE ONLY

