



COAXIAL CONNECTOR

N MALE FOR .141 CABLE

Features

- ✓ Frequency Range: DC to 6GHz
- ✓ High interface performance
- ✓ High performance design

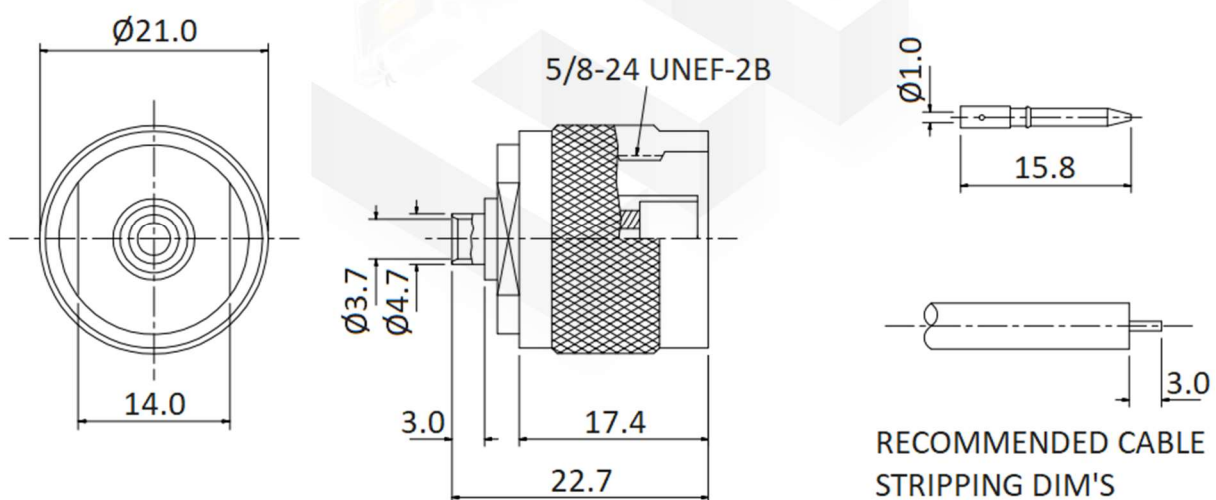


Specifications

PART NUMBER	MVE3954-141
DESCRIPTION	N Male S/T For RG402/.141" Connector, Solder DC-6GHz
ELECTRICAL	MATERIALS
FREQUENCY: DC-6GHz IMPEDANCE: 50 OHM WORKING VOLTAGE: 500Vrms MAX. DIELECTRIC WITHSTANDING VOLTAGE: 1000Vrms MAX. INSULATOR RESISTANCE: 1000 MEGOHMS MIN.	BODY: BRASS, NICKEL PLATED CONTACT: BRASS, GOLD PLATED INSULATOR: TEFLON

TOLERANCE: X=±0.2 X.X=±0.1 X.XX=±0.05

Outline Drawing (Unit: mm)



NOTES:
1. ALL SPECIFICATIONS ARE SUBJECT TO CHANGE WITHOUT NOTICE AT ANY TIME
2. CUSTOMER OUTLINE DRAWING FOR REFERENCE ONLY

