

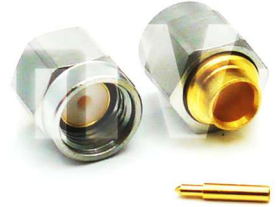


COAXIAL CONNECTOR

SMA TYPE For Cable Assembly

Features

- ✓ Frequency up to 18 GHz
- ✓ Convenient assembly
- ✓ High performance design



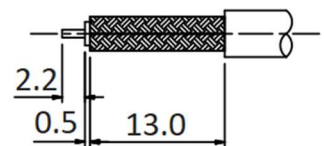
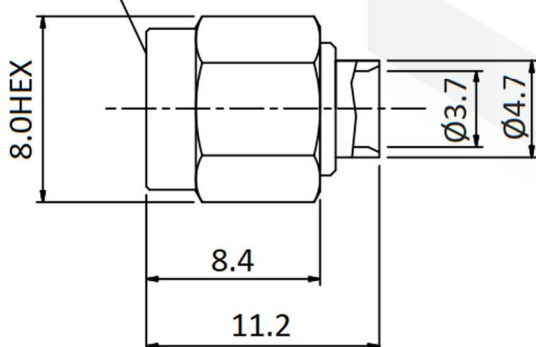
Specifications

PART NUMBER	MVE3917-11.2
DESCRIPTION	50ohm SMA Male S/T for .141 connector, Solder DC-18GHz
ELECTRICAL	MATERIALS
FREQUENCY: DC-18GHz IMPEDANCE: 50 Ω WORKING VOLTAGE: 500Vrms MAX. INSULATION RESISTANCE: 5000MEGOHMS MIN. DIELECTRIC WITHSTANDING VOLTAGE: 1000Vrms MAX.	BODY: BRASS, GOLD PLATED SHELL: STAINLESS PIN CONTACT: BRASS, GOLD PLATED INSULATOR: TEFLON

TOLERANCE: X=±0.2 X.X=0.1 X.XX=±0.05

Outline Drawing (Unit: mm)

1/4-36 UNS-2B



RECOMMENDED CABLE STRIPPING DIM'S

- NOTES:
1. ALL SPECIFICATIONS ARE SUBJECT TO CHANGE WITHOUT NOTICE AT ANY TIME
 2. CUSTOMER OUTLINE DRAWING FOR REFERENCE ONLY

