



COAXIAL CONNECTOR

SMA TYPE FOR 1.37MM TYPE

Features

- ✓ Frequency Range: DC to 6GHz
- ✓ Low VSWR
- ✓ High performance design

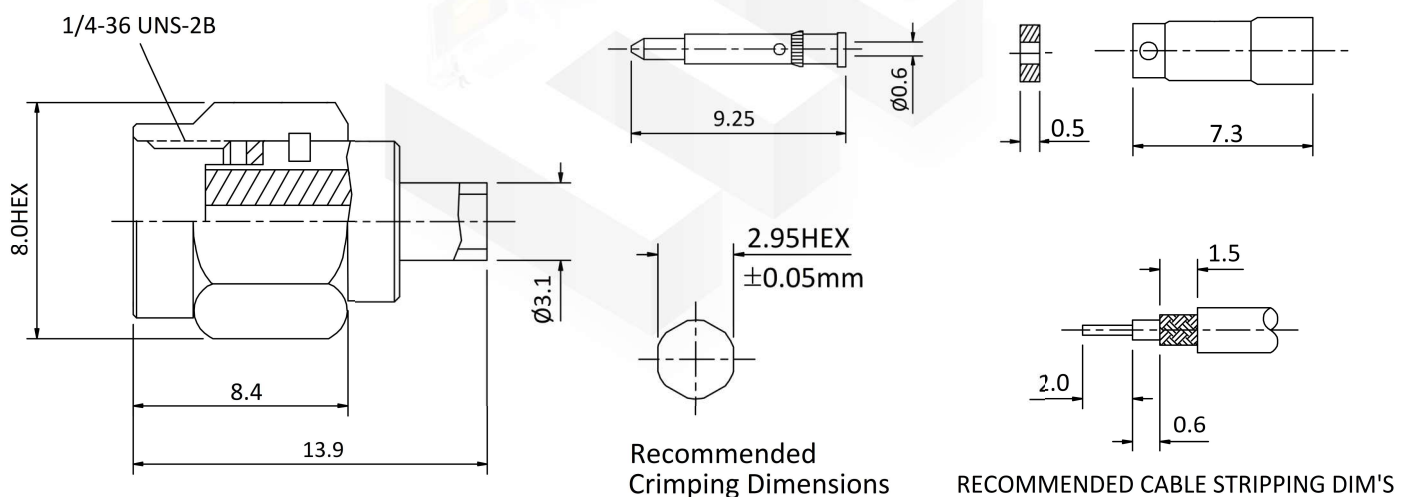


Specifications

PART NUMBER	MVE3887-13.8
DESCRIPTION	SMA Male S/T For 1.37mm Connector, Crimp (with MHF)
ELECTRICAL	
FREQUENCY: DC-6GHz IMPEDANCE: 50 Ohm VSWR: 1.3:1 MAX.	
MATERIALS	
BODY: BRASS, GOLD PLATED CONTACT: GOLD PLATED INSULATOR: TEFLON	

TOLERANCE: X=±0.2 X.X=±0.1 X.XX=±0.05

Outline Drawing (Unit: mm)



NOTES:

1. ALL SPECIFICATIONS ARE SUBJECT TO CHANGE WITHOUT NOTICE AT ANY TIME
2. CUSTOMER OUTLINE DRAWING FOR REFERENCE ONLY

