



# COAXIAL CONNECTOR

## 75ohm F Type For RG6/U Cable

### Features

- ✓ F male Interface
- ✓ Convenient assembly
- ✓ High performance design

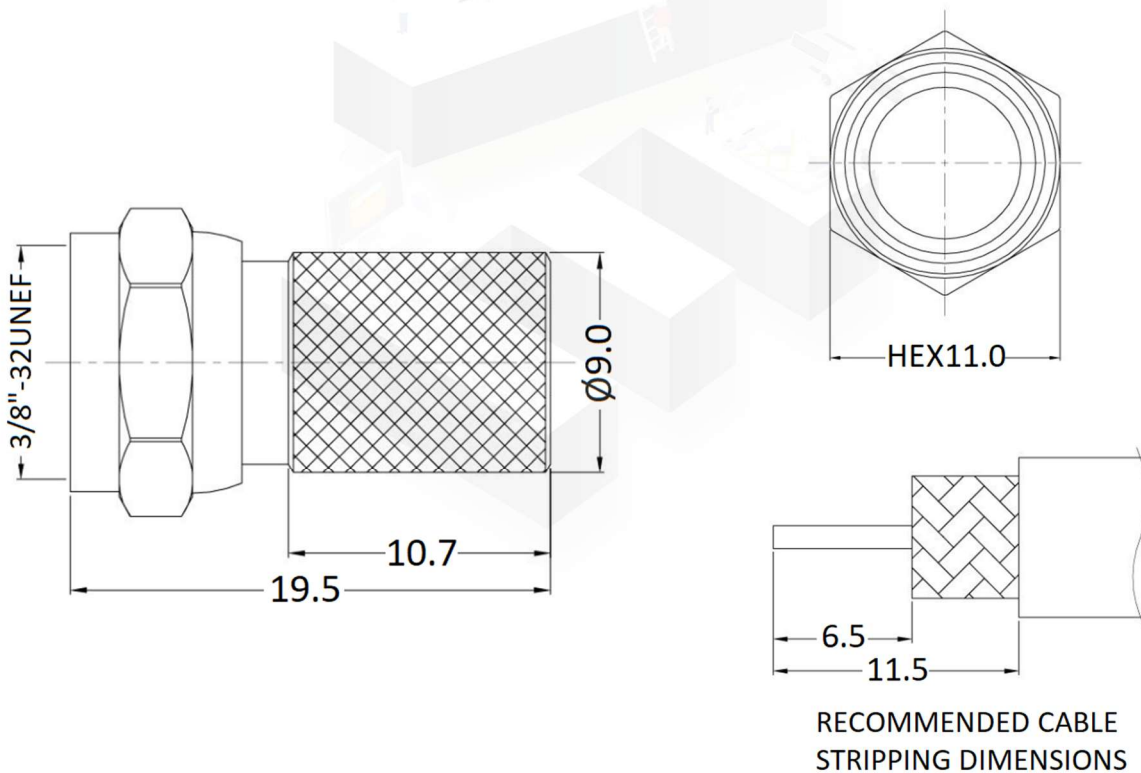


### Specifications

<b>PART NUMBER</b>	MVE3856-19.5
<b>DESCRIPTION</b>	75ohm F Male for RG6/U Connector, Crimp
<b>MATERIALS</b>	BODY: BRASS, NICKEL SHELL: BRASS, NICKEL

TOLERANCE: 0.5mm-6mm=±0.2    6mm-30mm=±0.4

### Outline Drawing (Unit: mm)



NOTES:  
1. ALL SPECIFICATIONS ARE SUBJECT TO CHANGE WITHOUT NOTICE AT ANY TIME  
2. CUSTOMER OUTLINE DRAWING FOR REFERENCE ONLY

