



COAXIAL CONNECTOR

SMB EDGE FOR PCB TYPE

Features

- ✓ Frequency Range: DC to 4GHz
- ✓ High interface performance
- ✓ High performance design

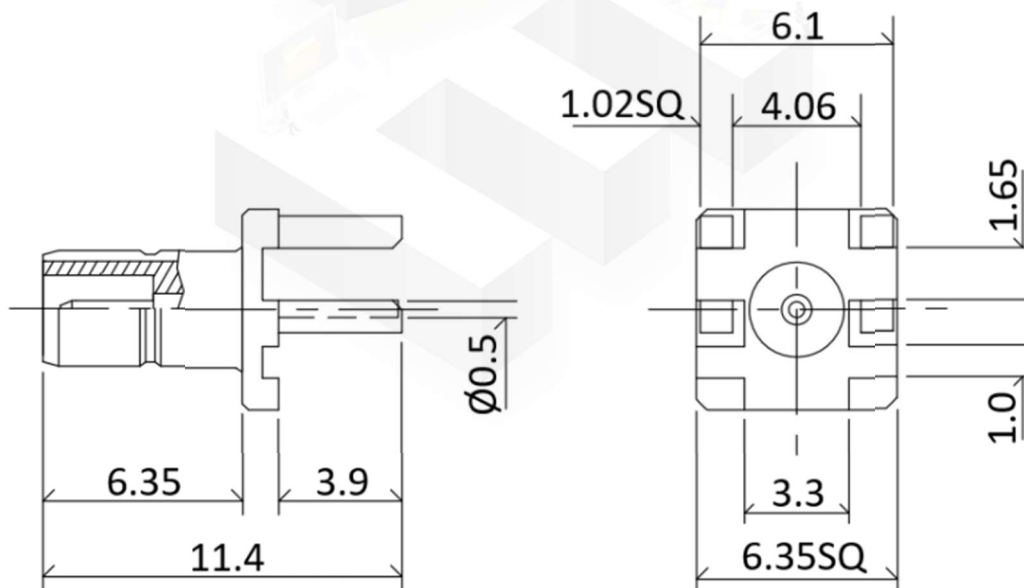


Specifications

PART NUMBER	MVE3713-1.65
DESCRIPTION	SMB Female S/T End Launch For PCB Connector/1.65mm
ELECTRICAL	MATERIALS
FREQUENCY: DC-4GHz IMPEDANCE: 50 ohm WORKING VOLTAGE: 500Vrms MAX. INSULATOR RESISTANCE: 1000 MEGOHMS MIN.	BODY: BRASS, GOLD PLATED CONTACT: BRASS, GOLD PLATED INSULATOR: PTFE

TOLERANCE: X=±0.2 X.X=±0.1 X.XX=±0.05

Outline Drawing (Unit: mm)



NOTES:

1. ALL SPECIFICATIONS ARE SUBJECT TO CHANGE WITHOUT NOTICE AT ANY TIME
2. CUSTOMER OUTLINE DRAWING FOR REFERENCE ONLY

