



COAXIAL CONNECTOR

SMA END LAUNCH FOR PCB TYPE

Features

- ✓ Frequency Range: DC to 12.4 GHz
- ✓ High Durability
- ✓ High performance design

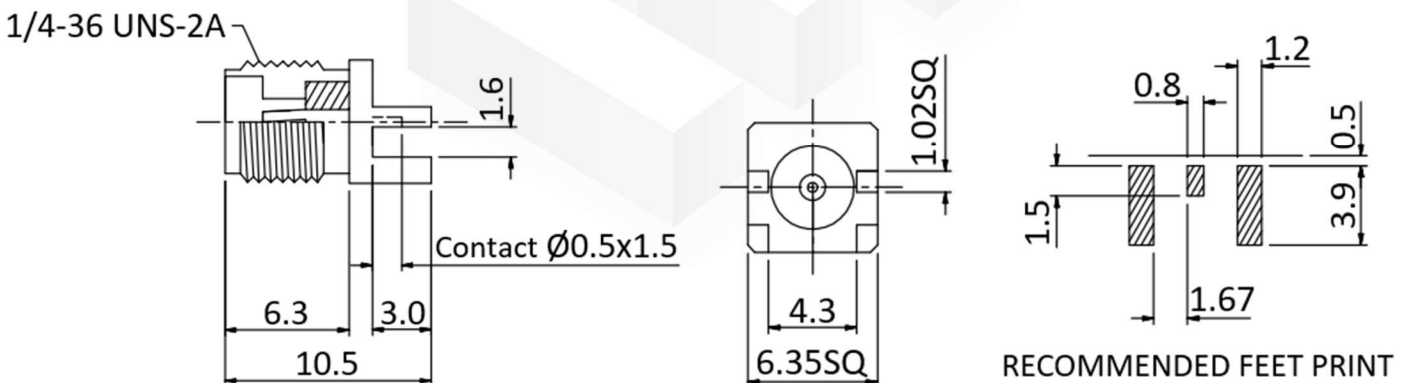


Specifications

PART NUMBER	MVE3701-1.6
DESCRIPTION	SMA Female S/T End Launch For PCB Connector/1.6mm, DC-12.4GHz
ELECTRICAL	MATERIALS
FREQUENCY: DC-12.4GHz IMPEDANCE: 50 OHM WORKING VOLTAGE: 500Vrms MAX. DIELECTRIC WITHSTANDING VOLTAGE: 1000Vrms MAX. INSULATOR RESISTANCE: 5000 MEGOHMS MIN. OPERATING TEMPERATURE: - 65~+155°C	BODY: BRASS, GOLD PLATED CONTACT: BE COPPER, GOLD PLATED INSULATOR: TEFLON
	SMT REFLOW DATA
	TEFLON WELDING TEMPERATURE: BELOW 240°C WELDING TIME: 60 SECOND MAX. LEAD SOLDERING TEMPERATURE: 300-400°C SOLDERING TIME: 15 SECOND MAX.

Tolerance: X= ±0.50mm X.X= ±0.20mm X.XX= ±0.10mm

Outline Drawing (Unit: mm)



NOTES:

1. ALL SPECIFICATIONS ARE SUBJECT TO CHANGE WITHOUT NOTICE AT ANY TIME
2. CUSTOMER OUTLINE DRAWING FOR REFERENCE ONLY

