



# COAXIAL CONNECTOR

# SMA END LAUNCH FOR PCB TYPE

## Features

- ✓ Frequency up to 12.4 GHz
- ✓ High performance design
- ✓ High Durability

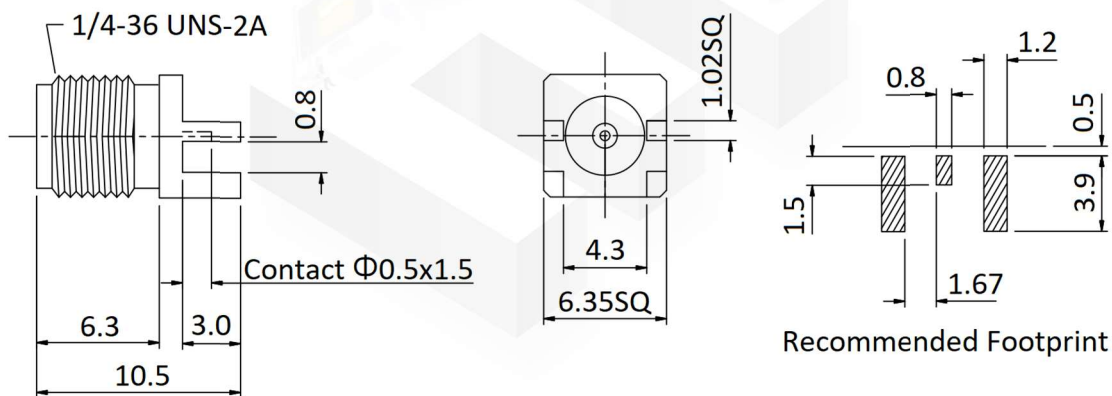


## Specifications

<b>PART NUMBER</b>	MVE3701-0.8
<b>DESCRIPTION</b>	SMA Female S/T End Launch For PCB Connector/0.8mm, DC-12.4GHz
<b>ELECTRICAL</b>	<b>MATERIALS</b>
FREQUENCY: DC-12.4GHz IMPEDANCE: 50 OHM WORKING VOLTAGE: 500Vrms MAX. DIELECTRIC WITHSTANDING VOLTAGE: 1000Vrms MAX. INSULATOR RESISTANCE: 5000 MEGOHMS MIN.	BODY: BRASS, GOLD PLATED CONTACT: BE COPPER, GOLD PLATED INSULATOR: PTFE

TOLERANCE: X=±0.2 X.X=±0.1 .XX=±0.05

## Outline Drawing (Unit: mm)



NOTES:  
1. ALL SPECIFICATIONS ARE SUBJECT TO CHANGE WITHOUT NOTICE AT ANY TIME  
2. CUSTOMER OUTLINE DRAWING FOR REFERENCE ONLY

