



# Mount Solderless Test Connector 1.85mm END LAUNCH FOR PCB TYPE

## Features

- ✓ Frequency up to 67 GHz
- ✓ High performance design
- ✓ Low Insertion Loss

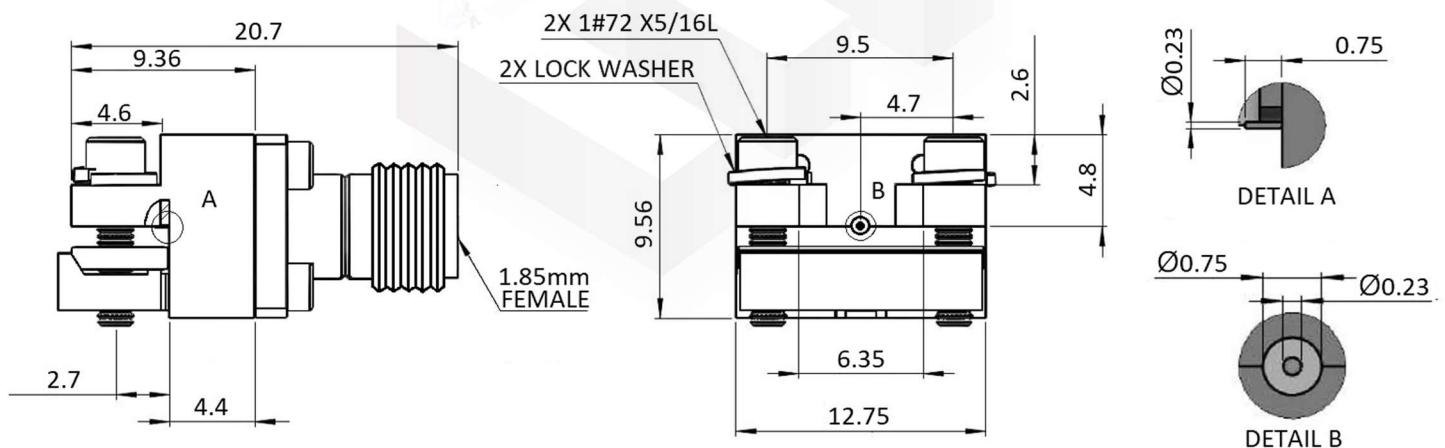


## Specifications

<b>PART NUMBER</b>	MVE3700-VF023
<b>DESCRIPTION</b>	1.85mm Female End Launch Mount Solderless Test Connector, DC-67GHz(Pin:0.23)
<b>ELECTRICAL</b>	IMPEDANCE: 50 OHM FREQUENCY RANGE: DC-67 GHz VSWR: 1.30:1 TYP. INSERTION LOSS: <math><0.06 * \text{sqrt}(f_{\text{GHz}})</math> dB OPERATING TEMPERATURE: -40°C to +165°C
<b>MATERIALS</b>	HOUSING: STAINLESS STEEL CONTACT: BeCu, GOLD PLATED BEAD: PTFE

TOLERANCE: X=±0.25 X.X=±0.15 .XX=±0.12

## Outline Drawing (Unit: mm)



**NOTES:**

1. ALL SPECIFICATIONS ARE SUBJECT TO CHANGE WITHOUT NOTICE AT ANY TIME
2. CUSTOMER OUTLINE DRAWING FOR REFERENCE ONLY

