



COAXIAL CONNECTOR

SMB MALE For RG316D CABLE

Features

- ✓ Frequency Range: DC to 4 GHz
- ✓ SMB Interface
- ✓ High performance design

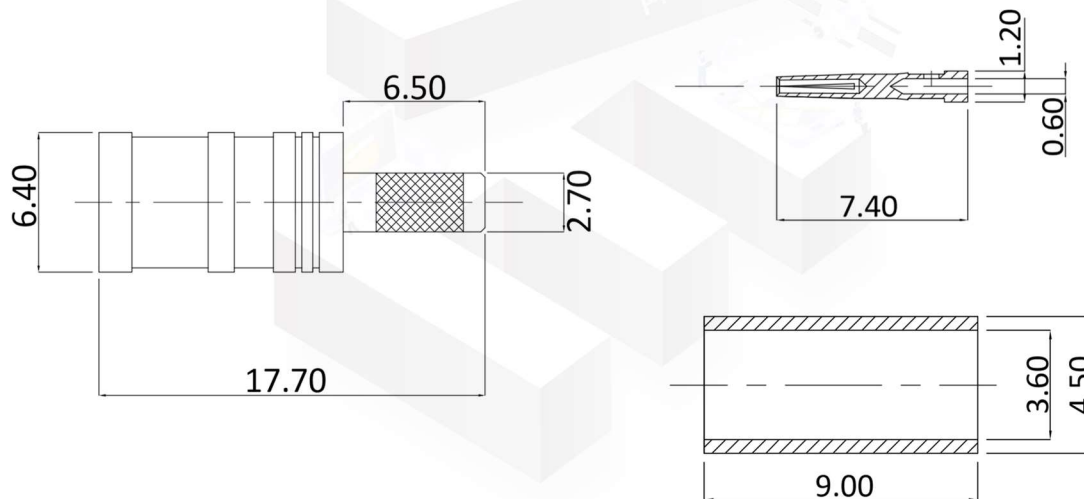


Specifications

PART NUMBER	MVE3554-17.7
DESCRIPTION	SMB Male S/T For RG316D Connector, Crimp
ELECTRICAL	MATERIALS
FREQUENCY: DC-4GHz IMPEDANCE: 50 OHM INSULATOR RESISTANCE: 1000 MEGOHMS MIN.	BODY: BRASS, GOLD PLATED CONTACT: BRASS, GOLD PLATED TUBE: BRASS, GOLD PLATED

Tolerance: X= ±0.2 X.X= ±0.1 .XX= ±0.05

Outline Drawing (Unit: mm)



NOTES:

1. ALL SPECIFICATIONS ARE SUBJECT TO CHANGE WITHOUT NOTICE AT ANY TIME
2. CUSTOMER OUTLINE DRAWING FOR REFERENCE ON

