



COAXIAL CONNECTOR

SMA Precision Series

Features

- ✓ Frequency up to 12.4GHz
- ✓ Low VSWR
- ✓ Convenient assembly

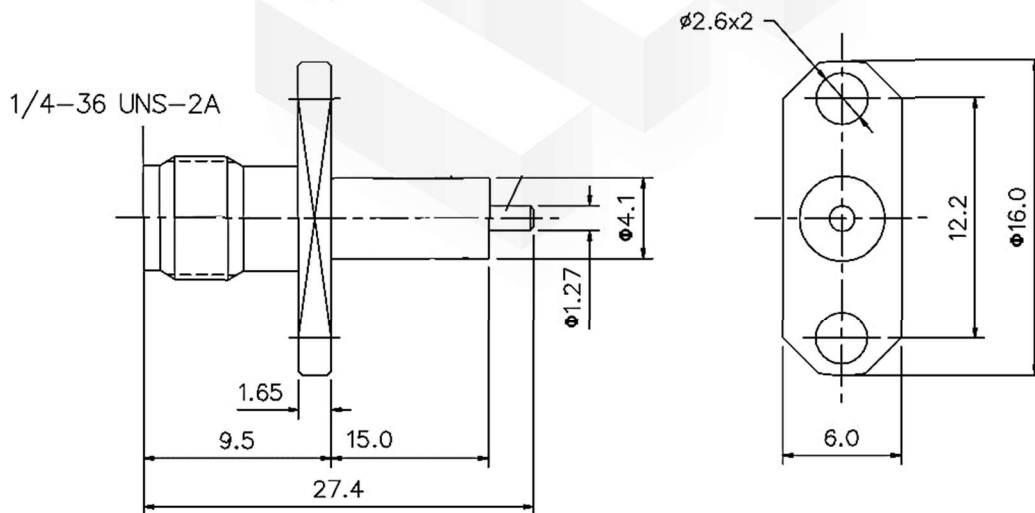


Specifications

PART NUMBER	MVE3204-27.4
DESCRIPTION	SMA Female S/T 2 Hole Flange Connector, DC-12.4GHz
ELECTRICAL	MATERIALS
FREQUENCY: DC-12.4GHz IMPEDANCE: 50 OHM VSWR: 1.2:1 MAX. TEMPERATURE RANGE: -65°C to +155°C DURABILITY: 500 CYCLES MIN.	BODY: BRASS, GOLD PLATED CONTACT: BERYLLIUM COPPER ALLOY, GOLD PLATED INSULATOR: TEFLON

TOLERANCE: X=±0.2 X.X=±0.1 X.XX=±0.05

Outline Drawing (Unit: mm)



NOTES:

1. ALL SPECIFICATIONS ARE SUBJECT TO CHANGE WITHOUT NOTICE AT ANY TIME
2. CUSTOMER OUTLINE DRAWING FOR REFERENCE ONLY

