



# COAXIAL CONNECTOR

## SMA 2 HOLE FOR PCB TYPE

### Features

- ✓ Frequency up to 6 GHz
- ✓ Low VSWR
- ✓ High Durability

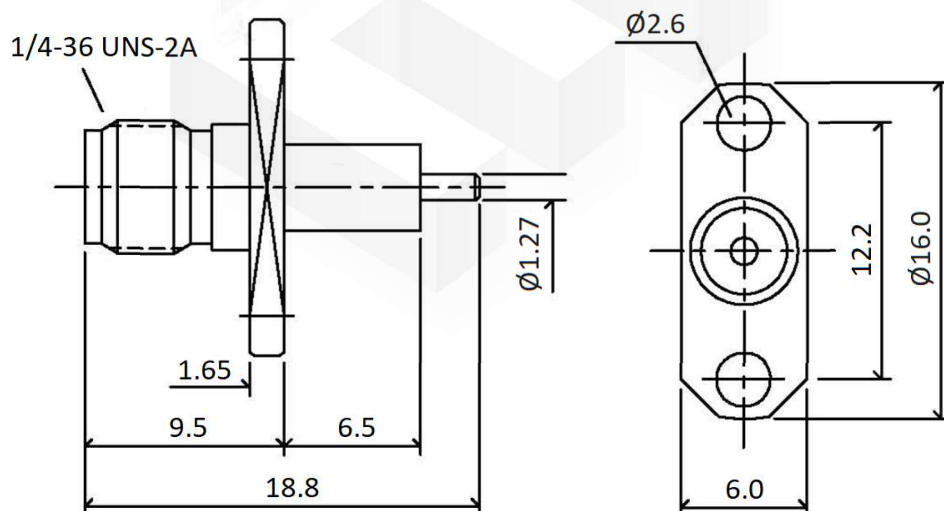


### Specifications

|   |  |
|---|--|
| <b>PART NUMBER</b>  | MVE3202-18.8   |
| <b>DESCRIPTION</b>  | SMA Female S/T 2 Hole Flange Connector   |
| <b>ELECTRICAL</b>   | <b>MATERIALS</b>   |
| FREQUENCY: DC-6GHz<br>IMPEDANCE: 50 OHM<br>WORKING VOLTAGE: 500Vrms MAX.<br>DIELECTRIC WITHSTANDING VOLTAGE: 1000Vrms MAX.<br>INSULATOR RESISTANCE: 5000 MEGOHMS MIN. | BODY: BRASS, GOLD PLATED<br>CONTACT: BE COPPER, GOLD PLATED<br>INSULATOR: TEFLON |

TOLERANCE: X=±0.2 X.X=±0.1 X.XX=±0.05

### Outline Drawing (Unit: mm)



NOTES:

1. ALL SPECIFICATIONS ARE SUBJECT TO CHANGE WITHOUT NOTICE AT ANY TIME
2. CUSTOMER OUTLINE DRAWING FOR REFERENCE ONLY

