



COAXIAL CONNETOR

MMCX SMT TYPE

Features

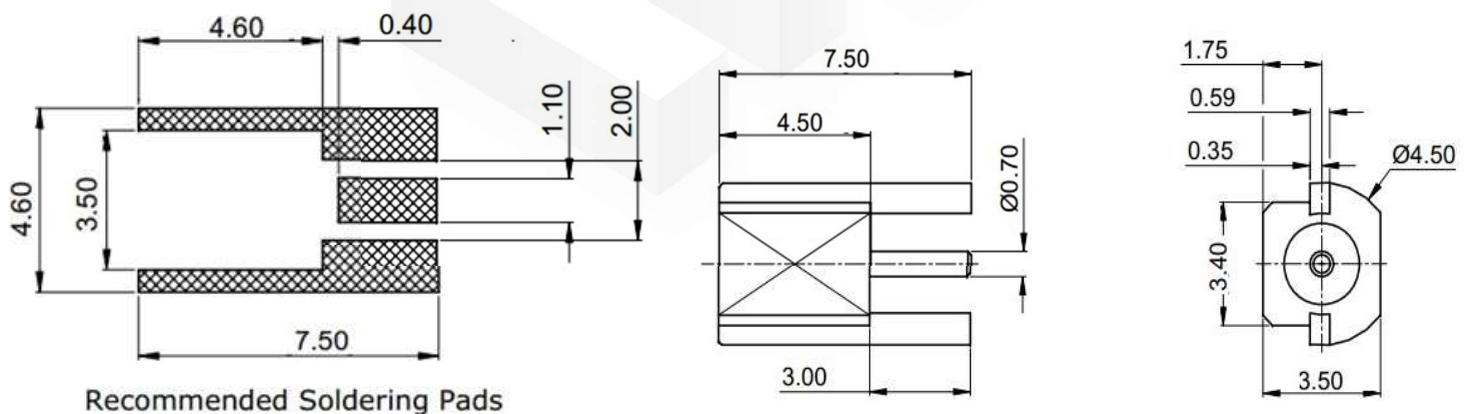
- ✓ Frequency Range: DC to 6 GHz
- ✓ High performance design
- ✓ High Durability

Specifications

PART NUMBER	MVE3132-7.5
DESCRIPTION	MMCX Female S/T SMT For PCB Connector, DC-6GHz
ELECTRICAL	IMPEDANCE: 50Ω INSULATION RESISTANCE: ≥ 1000MΩ DURABILITY(MATINGS): >500 WITHSTANDING VOLTAGE: 500V TEMPERATURE RANGE -65 °C~+165°C
MATERIALS	BODY: BRASS, GOLD-PLATED PIN CONTACT: BERYLLIUM COPPER ALLOY, GOLD-PLATED INSULATOR: PTFE

TOLERANCE: X=±0.5 X.X=±0.2 X.XX=±0.13

Outline Drawing (Unit: mm)



- NOTES:
1. ALL SPECIFICATIONS ARE SUBJECT TO CHANGE WITHOUT NOTICE AT ANY TIME
 2. CUSTOMER OUTLINE DRAWING FOR REFERENCE ONLY

