



COAXIAL CONNECTOR

BNC For PCB Type

Features

- ✓ Frequency up to 3GHz
- ✓ Low VSWR
- ✓ Delivery From Stock

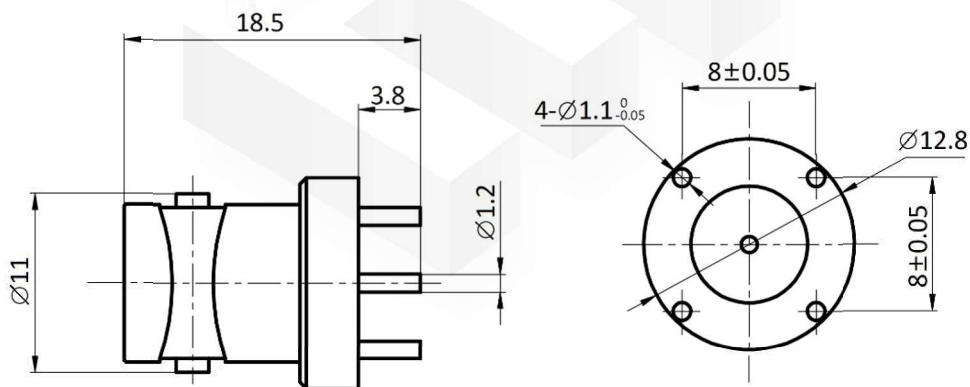


Specifications

| | |
|--|---|
| PART NUMBER | MVE3114-18.5 |
| DESCRIPTION | BNC Female S/T For PCB Connector, DIP DC-3GHz |
| ELECTRICAL | |
| FREQUENCY: DC-3GHz IMPEDANCE: 50 ohm WORKING VOLTAGE: 500Vrms MAX. DIELECTRIC WITHSTANDING VOLTAGE: 1000Vrms MAX. | |
| MATERIALS | |
| BODY: BRASS,NICKEL PLATED CONTACT: BRASS, GOLD PLATED INSULATOR: TEFLON | |

TOLERANCE: X=±0.2 X.X=±0.1 X.XX=±0.05

Outline Drawing (Unit: mm)



NOTES:

1. ALL SPECIFICATIONS ARE SUBJECT TO CHANGE WITHOUT NOTICE AT ANY TIME
2. CUSTOMER OUTLINE DRAWING FOR REFERENCE ONLY

