



COAXIAL CONNECTOR

SMA PCB DIP Type

Features

- ✓ Frequency Range: DC to 6GHz
- ✓ Low VSWR
- ✓ High performance design

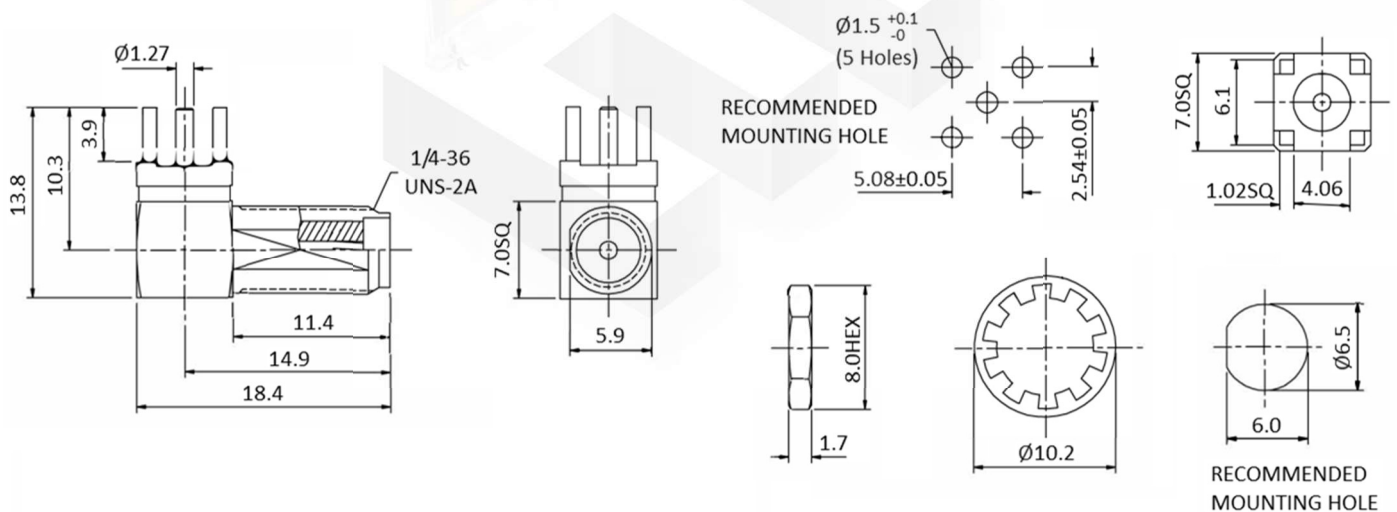


Specifications

PART NUMBER	MVE3108-18.4B
DESCRIPTION	SMA Female R/A For PCB Connector, DIP DC-6GHz
ELECTRICAL	MATERIALS
FREQUENCY: DC-6GHz IMPEDANCE: 50 ohm VSWR: 1.50:1 MAX. WORKING VOLTAGE: 500Vrms MAX. DIELECTRIC WITHSTANDING VOLTAGE: 1000Vrms MAX. INSULATOR RESISTANCE: 5000MEGOHMS MIN.	BODY: BRASS, GOLD PLATED CONTACT: BE COPPER, GOLD PLATED INSULATOR: TEFLON

TOLERANCE: X=±0.2 X.X=±0.1 X.XX=±0.05

Outline Drawing (Unit: mm)



NOTES:

1. ALL SPECIFICATIONS ARE SUBJECT TO CHANGE WITHOUT NOTICE AT ANY TIME
2. CUSTOMER OUTLINE DRAWING FOR REFERENCE ONLY

