

ELECTRICAL DATA

FREQUENC: DC-3GHz

IMPEDANCE: 50Ω

VSWR: <1.60:1

INSULATION RESISTANCE: 1000Mega-ohms

DIELECTRIC WITHSTANDING: 500Vrms

CENTER CONTACT RESISTANCE: 8.0 Mini-Ohms

OUTER CONTACT RESISTANCE: 6.0 Mini-Ohms

MECHANICAL DATA

COUPLING METHOD: SNAP-ON

TEMPERATURE RANGE: -55~165°C

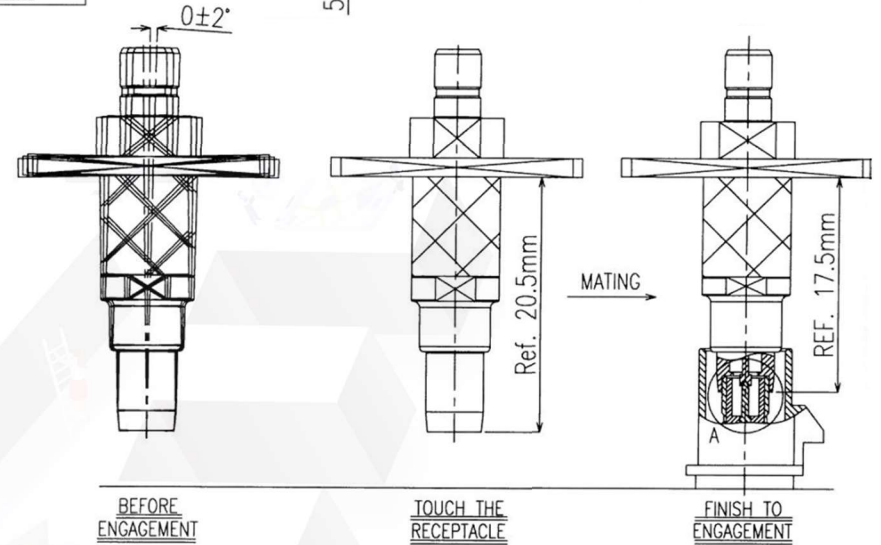
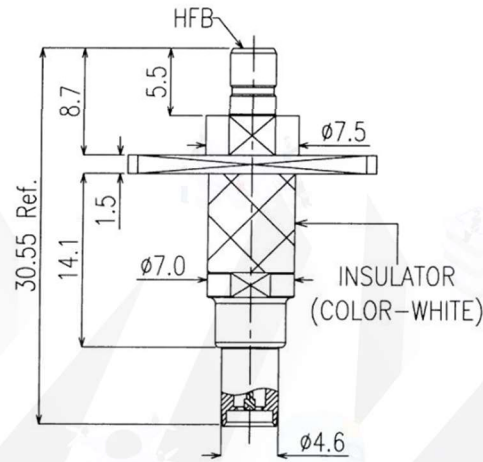
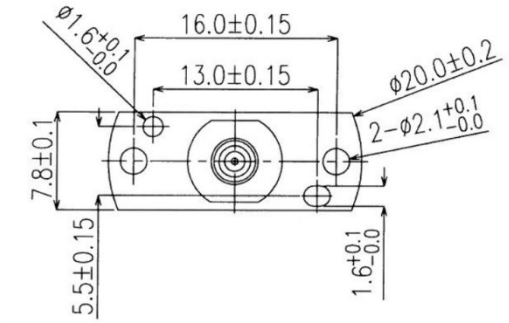
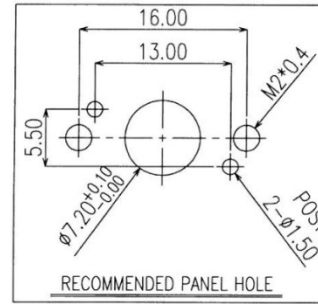
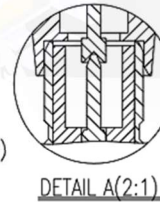
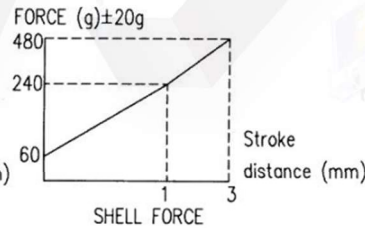
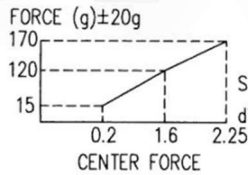
DURABILITY(MATING/UNMATING): 8K CYCLES

CONTINUOUS CURRENT:1.5amps

APPLICATION

Fully mating with FAKRA PLUG
(ROSENBERGER HF)

ROHS COMPLIANCE



DESCRIPTION	MATERIALS	ROHS COMPLIANCE	UNIT: mm
BODY	BRASS, NICKEL/GOLD PLATED	TOLERANCE: X=±0.38 X.X=±0.25 X.XX=±0.15	
CONTACT PIN	BRASS/BE-CU, GOLD PLATED	TITLE Fakra HF Jack Test Probe, DC-3GHz	
INSULATOR	TEFLON		

NOTES

1. ALL SPECIFICATIONS ARE SUBJECT TO CHANGE WITHOUT NOTICE AT ANY TIME
2. CUSTOMER OUTLINE DRAWING FOR REFERENCE ONLY

MVE 芝程科技有限公司
Marvelous Microwave Inc.
www.micro-mve.com sales@micro-mve.com +886-2-2602-0660



PART NO.	MAP-F101	REV	8.1
SIZE: A	SHEET: 1/1	SCALE:	