



# COAXIAL SWITCH

## SP8T DC-18GHz Normally Open/TTL

### Features

- ✓ Frequency up to 18 GHz
- ✓ Low Insertion Loss
- ✓ High Life Cycle

PART NUMBER	PART NUMBER	PART NUMBER	PART NUMBER
<b>MVE9812</b>	MVE9812-18	MVE9812-24	MVE9812-28
DC 12V	DC 18V	DC 24V	DC 28V
260mA	170mA	130mA	100mA



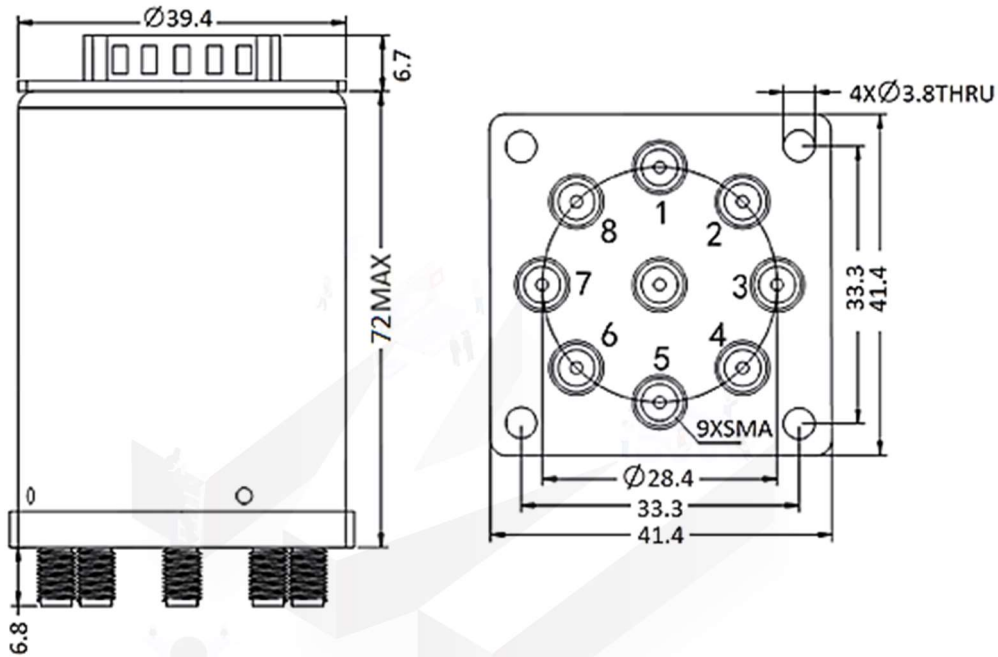
### SPECIFICATIONS

RF CHARACTERISTICS				
FREQUENCY RANGE	DC-4Hz	4-8GHz	8-12GHz	12-18GHz
VSWR MAX.	1.2:1	1.3:1	1.4:1	1.6:1
INSERTION LOSS MAX.	0.2dB	0.3dB	0.4dB	0.6dB
ISOLATION MIN.	75dB	65dB	60dB	60dB
AVERAGE POWER	50WATTS			
ELECTRICAL CHARACTERISTICS				
ACTUATOR	Normally Open			
COIL CURRENT	260mA/12V			
DRIVE VOLTAGE	3.3-5V			
DRIVE CURRENT	0.06-0.1mA			
MECHANICAL CHARACTERISTICS				
CONNECTORS	SMA Female			
ACTUATOR LIFESPAN	2,000,000 MIN.			
SWITHCING TIME	15ms MAX.			
DIMENSIONS	41.4mm x 41.4mm x 72mm			
WEIGHT	300g			
ENVIRONMENTAL CHARACTERISTICS				
TEMPERATURE RANGE	-25°C~+80°C			



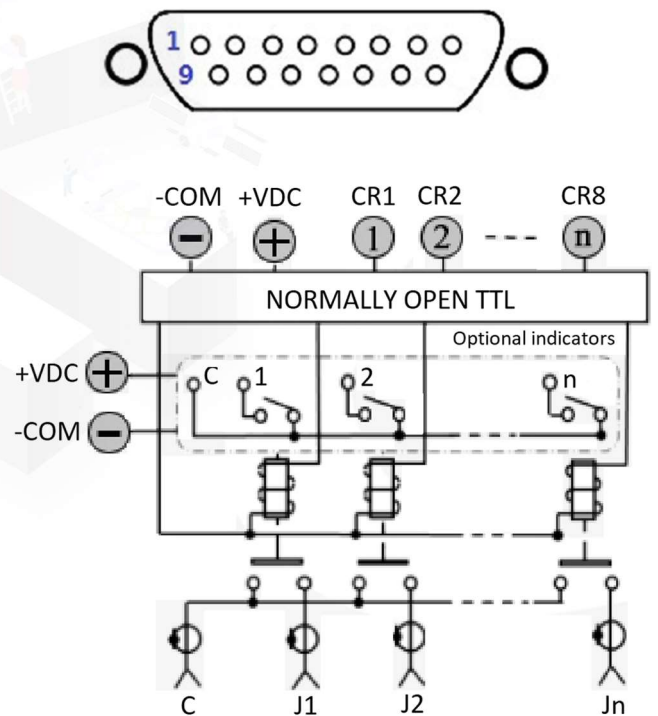
Tolerance:±0.5mm

**Outline Drawing: (mm)**



**SCHEMATIC DIAGRAM**

IN	CONTROL	DRIVE VOLTAGE(V)	DRIVE CURRENT (mA)
1	CR1	TTL 3.3-5V	0.06-0.1mA
2	CR2		
3	CR3		
4	CR4		
5	CR5		
6	CR6		
7	CR7		
8	CR8		
9	COM(-)		
10	/	/	/
11	/	/	/
12	/	/	/
13	/	/	/
14	/	/	/
15	+VDC	12V	260mA



NOTES:  
1. ALL SPECIFICATIONS ARE SUBJECT TO CHANGE WITHOUT NOTICE AT ANY TIME  
2. CUSTOMER OUTLINE DRAWING FOR REFERENCE ONLY



## Typical Test Result

