



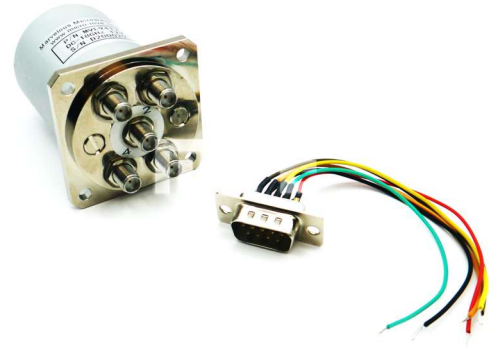
COAXIAL SWITCH

SP3-6T DC-18GHz NORMALLY OPEN/TTL

Features:

- ✓ Frequency up to 18 GHz
- ✓ Low Insertion Loss
- ✓ High Isolation

MVE9311	MVE9412	MVE9511	MVE9611
SP3T	SP4T	SP5T	SP6T

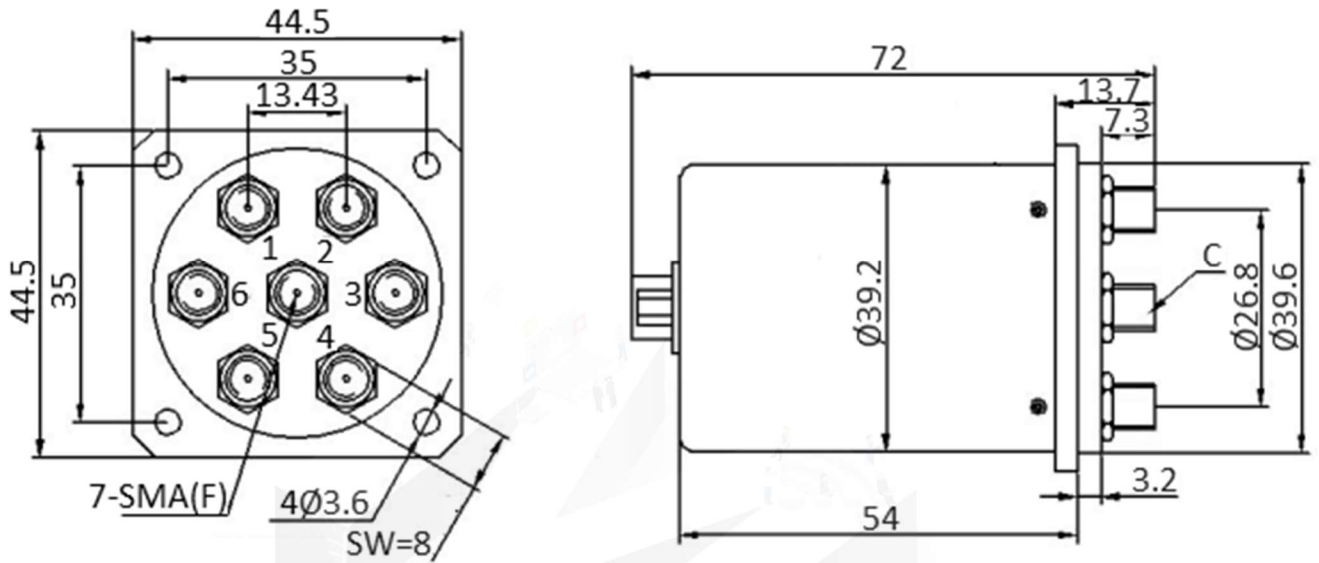


SPECIFICATIONS

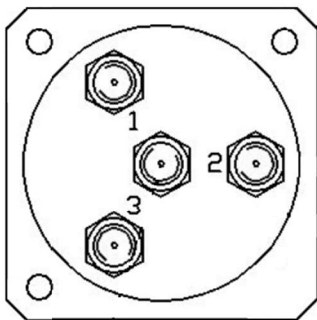
RF CHARACTERISTICS				
FREQUENCY RANGE	DC-4GHz	4-8GHz	8-12.4GHz	12.4-18GHz
VSWR MAX.	1.20:1	1.30:1	1.40:1	1.50:1
INSERTION LOSS	≤0.25dB	≤0.30dB	≤0.40dB	≤0.45dB
ISOLATION MIN.	80dB	75dB	70dB	65dB
AVERAGE POWER AT COOL SWITCHING	20WATTS			
ELECTRICAL CHARACTERISTICS				
ACTUATOR	Normally open			
COIL CURRENT	240mA/12V			
TTL DRIVE VOLTAGE	2.5-5V			
TTL DRIVE CURRENT	0.02-0.8mA			
MECHANICAL CHARACTERISTICS				
CONNECTOR TYPE	SMA Female			
MECHANICAL LIFE	1,000,000			
SWITHCING SPEED	<20ms			
DIMENSIONS	44.5×44.5×72mm			
WEIGHT	150g			
ENVIRONMENTAL CHARACTERISTICS				
TEMPERATURE RANGE	-20°C ~ +65°C			



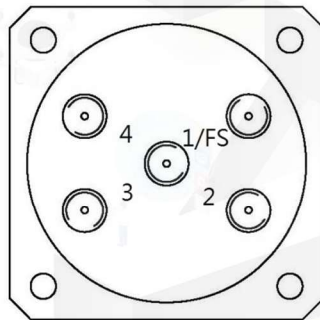
Outline Drawing: (mm)



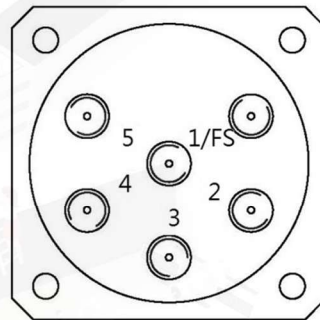
SP6T MVE9611



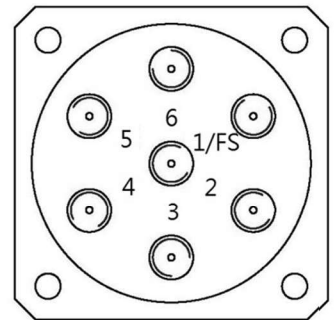
SP3T



SP4T



SP5T



SP6T

* Dimensions Tolerance $\pm 5\%$

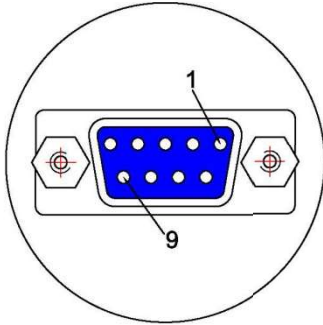
**Customer designs available

NOTES:
1. ALL SPECIFICATIONS ARE SUBJECT TO CHANGE WITHOUT NOTICE AT ANY TIME
2. CUSTOMER OUTLINE DRAWING FOR REFERENCE ONLY



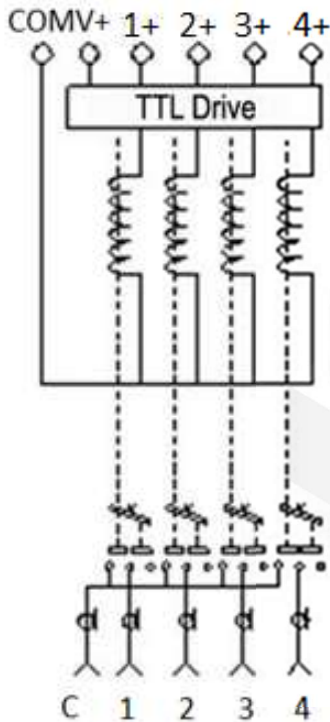


Connection Diagram of Power Line and Control Line(MVE9412):



IN	CONTROL	DRIVE VOLTAGE(V)	DRIVE CURRENT(mA)
1	1+	DC 2.5-5	0.02-0.8
2	2+		
3	3+		
4	4+		
5	/	/	/
6	GND	/	/
7	/	/	/
8	/	/	/
9	VDC	DC12	240

Logic Figure :



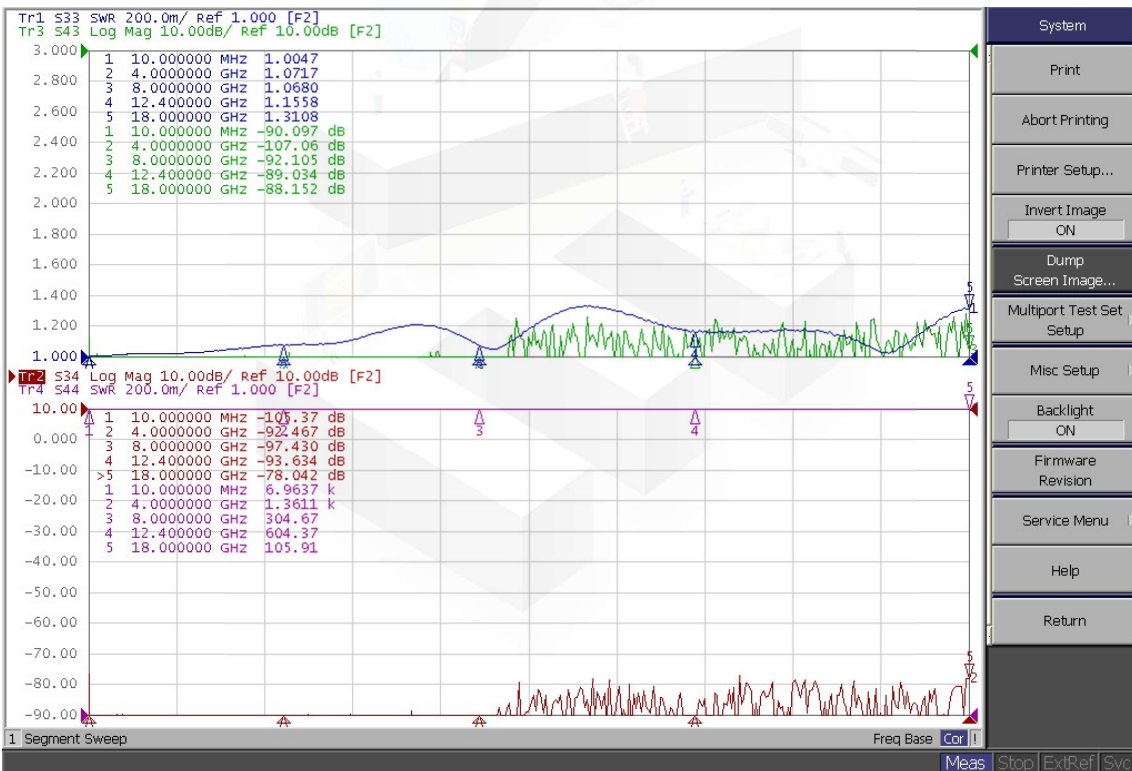
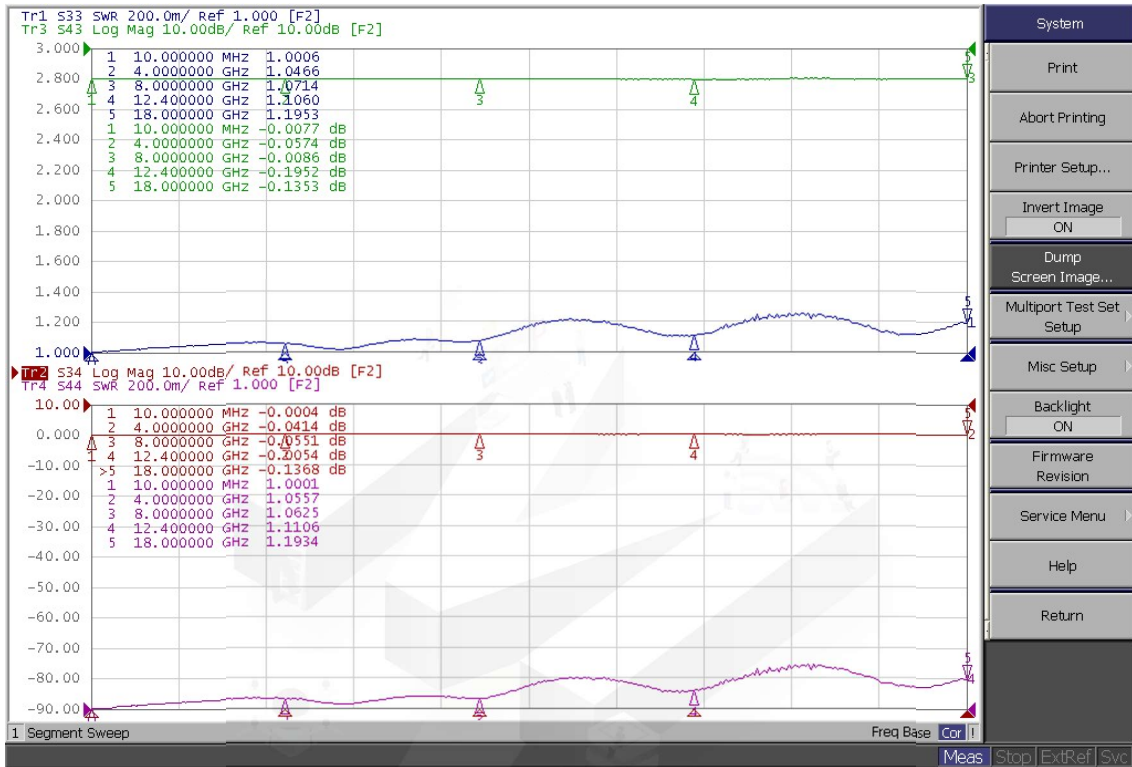
1+	2+	3+	4+	STATUS
0V	0V	0V	0V	All disconnect
5V	0V	0V	0V	1-C On , Other disconnect
0V	5V	0V	0V	2-C On , Other disconnect
0V	0V	5V	0V	3-C On , Other disconnect
0V	0V	0V	5V	4-C On , Other disconnect

NOTES:
1. ALL SPECIFICATIONS ARE SUBJECT TO CHANGE WITHOUT NOTICE AT ANY TIME
2. CUSTOMER OUTLINE DRAWING FOR REFERENCE ONLY





Typical Test Result(MVE9412)



NOTES:
1. ALL SPECIFICATIONS ARE SUBJECT TO CHANGE WITHOUT NOTICE AT ANY TIME
2. CUSTOMER OUTLINE DRAWING FOR REFERENCE ONLY