



COAXIAL SWITCH

SPDT FAILSAFE FUNCTION

Features

- ✓ Frequency up to 18 GHz
- ✓ Low Insertion Loss
- ✓ High Life Cycles



PART NUMBER	PART NUMBER	PART NUMBER
MVE9213	MVE9213-24	MVE9213-28
DC 12V	DC 24V	DC 28V

SPECIFICATIONS

FREQUENCY : DC-18GHz

RF CHARACTERISTICS					
FREQUENCY RANGE	0-2GHz	2-4GHz	4-8GHz	8-12GHz	12-18GHz
VSWR MAX.	1.15:1	1.20:1	1.30:1	1.40:1	1.50:1
INSERTION LOSS MAX.	0.20dB	0.20dB	0.25dB	0.35dB	0.40dB
ISOLATION MIN.	90dB	80dB	75dB	65dB	60dB
AVERAGE POWER AT COOL SWITCHING	50W	40W	30W	20W	10W
ELECTRICAL CHARACTERISTICS					
ACTUATOR	Failsafe				
COIL CURRENT	150mA/DC 12V 80mA/DC 24V Option 70mA/DC 28V Option				
MECHANICAL CHARACTERISTICS					
CONNECTORS	SMA Female				
LIFE CYCLES	1,000,000				
SWITCHING TIME	<15ms				
WEIGHT	38g				
ENVIRONMENTAL CHARACTERISTICS					
OPERATING TEMPERATURE	-25°C~+65°C				
STORAGE TEMPERATURE	-25°C~+70°C				

NOTES:

1. ALL SPECIFICATIONS ARE SUBJECT TO CHANGE WITHOUT NOTICE AT ANY TIME
2. CUSTOMER OUTLINE DRAWING FOR REFERENCE ONLY

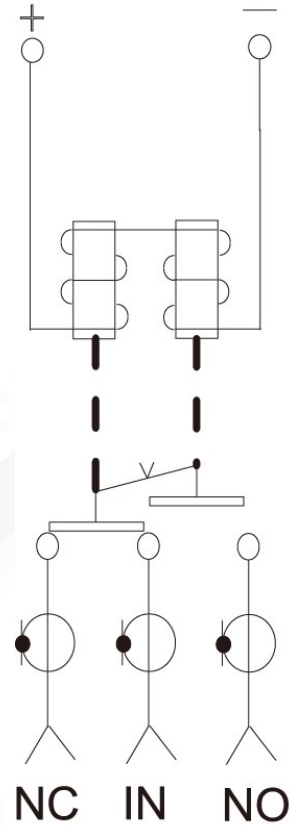
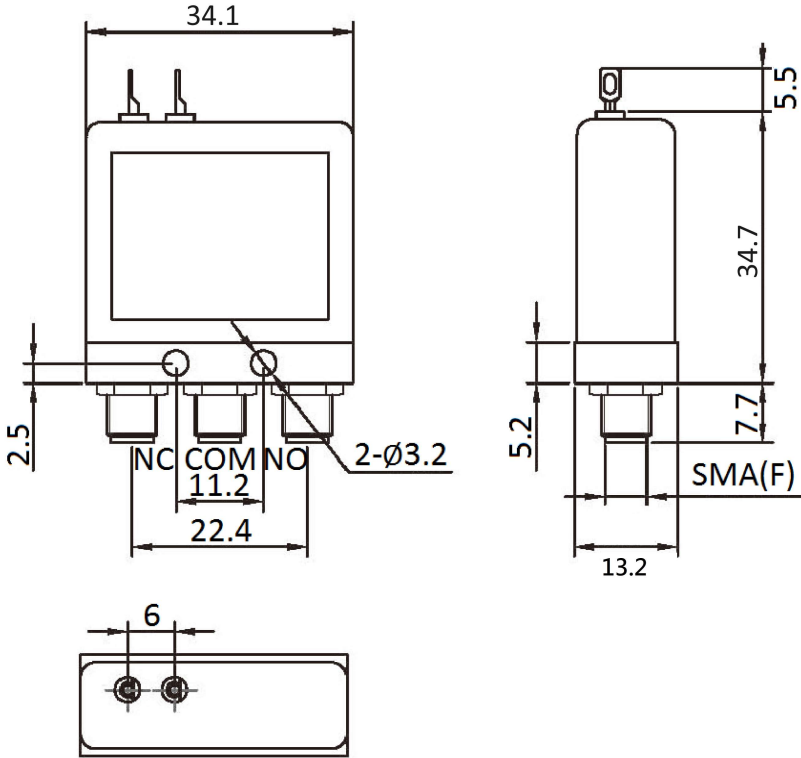




Tolerance: ±5%

Outline Drawing: (mm)

Electrical Schematic:



NOTES:

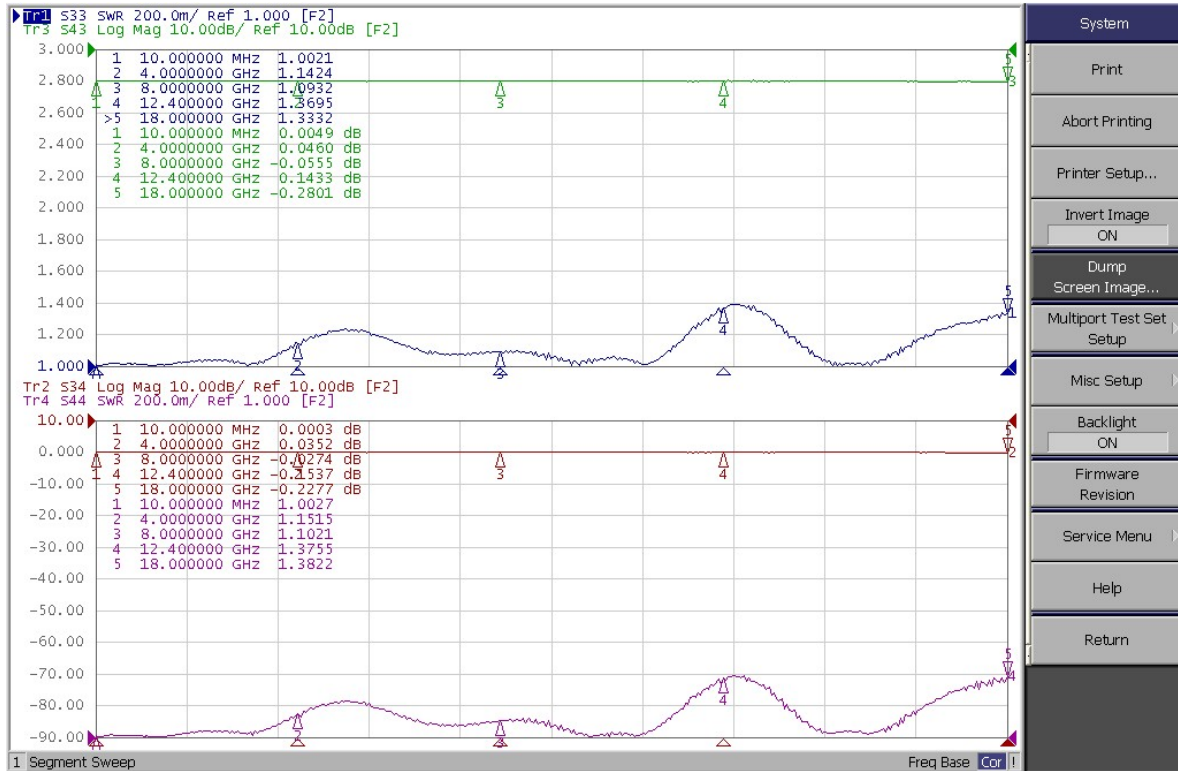
1. ALL SPECIFICATIONS ARE SUBJECT TO CHANGE WITHOUT NOTICE AT ANY TIME
2. CUSTOMER OUTLINE DRAWING FOR REFERENCE ONLY



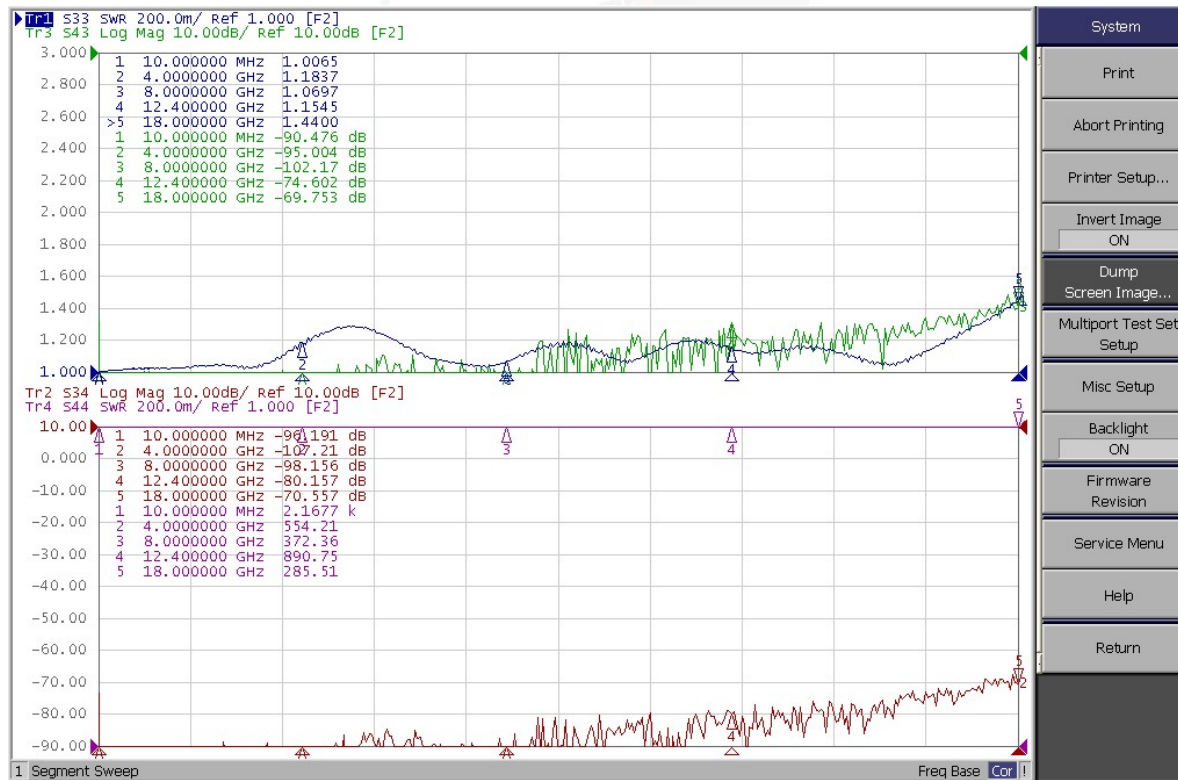


Typical Test Result

NC-COM

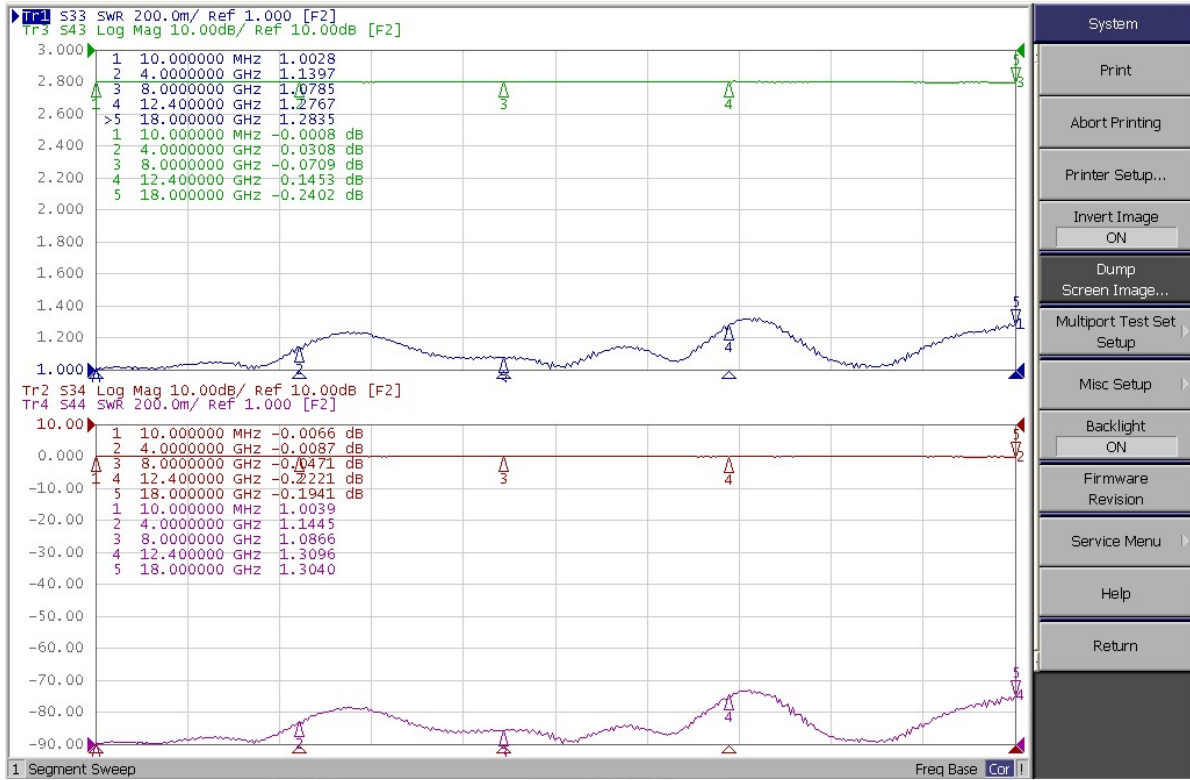


NC-ISOLATION





NO-COM



NO-ISOLATION

