



# SWITCH MVE9115

**DPDT  
FAILSAFE TTL**

## Features

- ✓ Frequency up to 40 GHz
- ✓ Low Insertion Loss
- ✓ High Life Cycles



## SPECIFICATIONS:

RF CHARACTERISTICS				
FREQUENCY RANGE	6GHz	18GHz	26.5GHz	40GHz
VSWR MAX.	1.3:1	1.5:1	1.7:1	2.0:1
INSERTION LOSS MAX.	0.2dB	0.4dB	0.9dB	1.3dB
ISOLATION MIN.	70dB	60dB	55dB	50dB
AVERAGE POWER AT COOL SWITCHING	5WATTS			
ELECTRICAL CHARACTERISTICS				
ACTUATOR	Failsafe TTL			
ACTUATOR VOLTAGE(V)	DC 12V/380mA			
TTL INPUT	0-0.8V(OFF),2.4-5V(ON)			
IMPEDANCE	50ohms			
SWITCHING TIME	15ms MAX.			
INDICATOR RATING	Electronic Type Indicator Max Withstand Voltage: 60VDC Max Current Capacity: 100mA Max "ON" Resistance: 16Ω Note: VDCi And COM- Must Be Connected To Operate.			
MECHANICAL CHARACTERISTICS				
SINE VIBRATION (OPERATING)	20-2000Hz , 10g			
SHOCK (NON OPERATING)	50g / 11ms, ½ sine			
CONNECTORS	2.92 mm Female			
ACTUATOR LIFESPAN	2million (MIN.)			
WEIGHT	120g			
ENVIRONMENTAL CHARACTERISTICS				
OPERATING TEMPERATURE	-25°C+65°C			

NOTES:

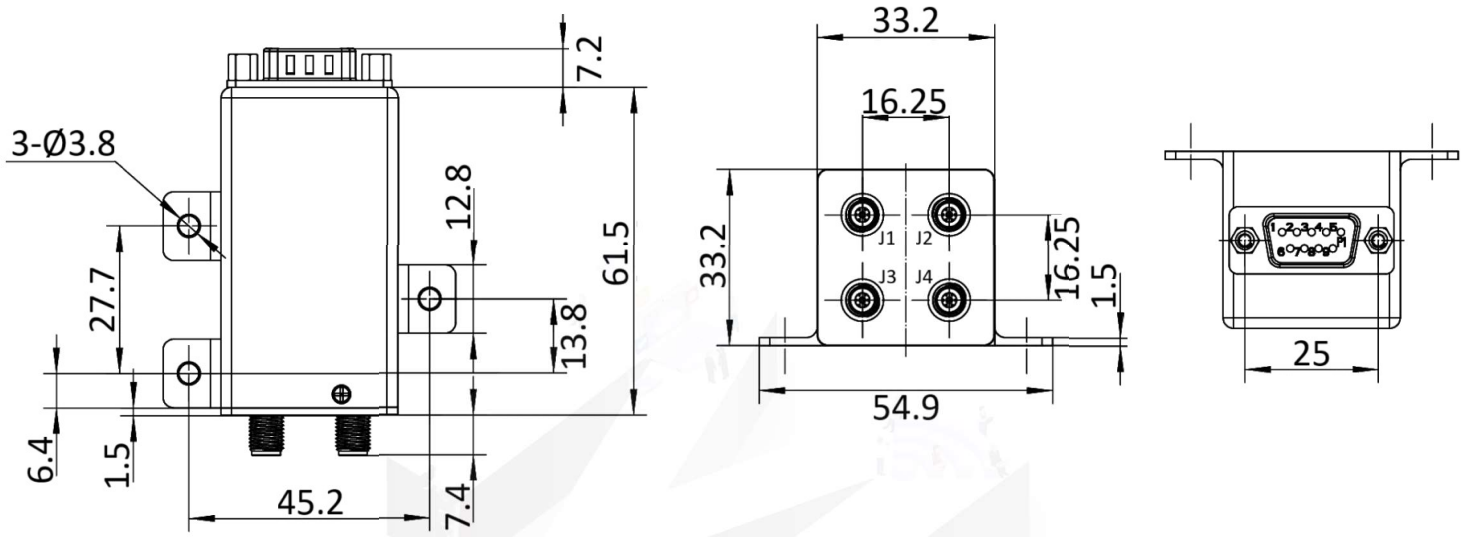
1. ALL SPECIFICATIONS ARE SUBJECT TO CHANGE WITHOUT NOTICE AT ANY TIME
2. CUSTOMER OUTLINE DRAWING FOR REFERENCE ONLY



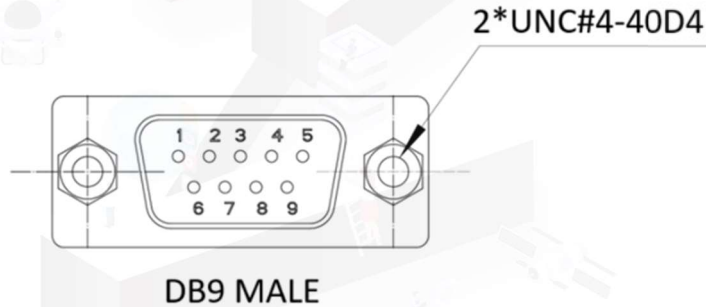


Tolerance: ±0.5mm

**Outline Drawing (Unit: mm)**



**Pin Definition**



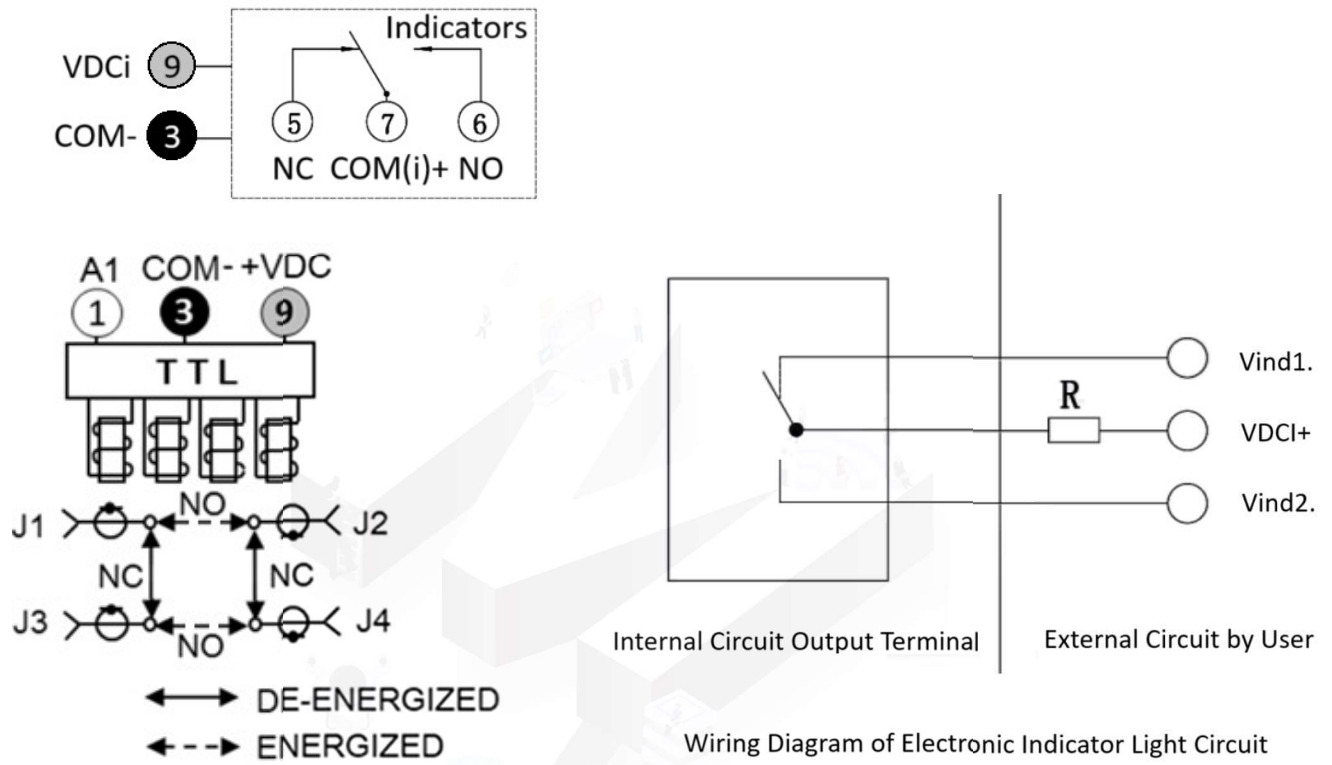
Pin No.	Failsafe TTL
1	A1(TTL IN) (NO:J1-J2;J3-J4)
	0 (NC:J1-J3;J2-J4)
2	UNUSED
3	COM(-)
4	UNUSED
5	IND.1 (NC:J1-J3;J2-J4)
6	IND.2 (NO:J1-J2;J3-J4)
7	COMi(IND)(V+)
8	UNUSED
9	+VDC/+VDCi

NOTES:  
1. ALL SPECIFICATIONS ARE SUBJECT TO CHANGE WITHOUT NOTICE AT ANY TIME  
2. CUSTOMER OUTLINE DRAWING FOR REFERENCE ONLY





**Electrical Schematic:**



NOTES:  
1. ALL SPECIFICATIONS ARE SUBJECT TO CHANGE WITHOUT NOTICE AT ANY TIME  
2. CUSTOMER OUTLINE DRAWING FOR REFERENCE ONLY

