



# COAXIAL SWITCH

## MVE9114

# DPDT

## FAILSAFE FUNCTION

### FEATURES

- ✓ Frequency up to 3GHz
- ✓ Low Insertion Loss
- ✓ High Life Cycle

PART NUMBER	PART NUMBER
<b>MVE9114</b>	<b>MVE9114-24</b>
DC 12V	DC 24V

### SPECIFICATIONS

#### RF CHARACTERISTICS

FREQUENCY RANGE	DC-1GHz	1-2GHz	2-3GHz
VSWR MAX.	1.15:1	1.20:1	1.25:1
INSERTION LOSS MAX.	0.15dB	0.20dB	0.25dB
ISOLATION MIN.	80dB	75dB	70dB

#### ELECTRICAL CHARACTERISTICS

ACTUATOR	Fail-safe
ACTUATOR VOLTAGE(V)	DC 12V/550mA

#### MECHANICAL CHARACTERISTICS

CONNECTOR TYPE	N Female
POWER INTERFACE	D-Sub
ACTUATOR LIFESPAN	1,000,000
SWITCHING TIME	<15ms
POWER HANDLING	200W @ 3GHz

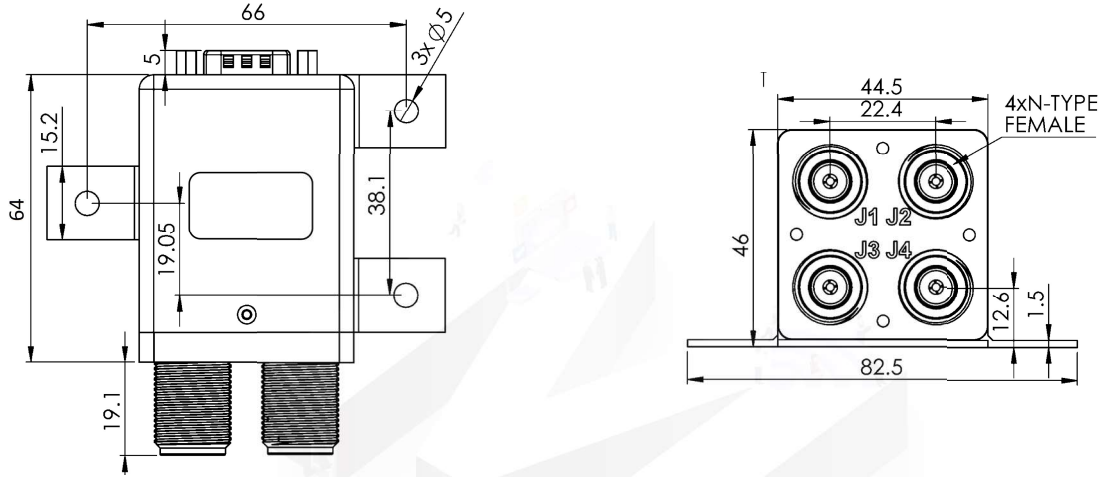
#### ENVIRONMENTAL CHARACTERISTICS

TEMPERATURE RANGE	-25°C-+65°C
-------------------	-------------

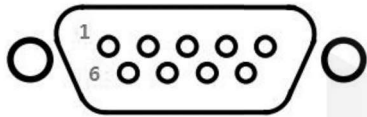


Tolerance:±0.5mm

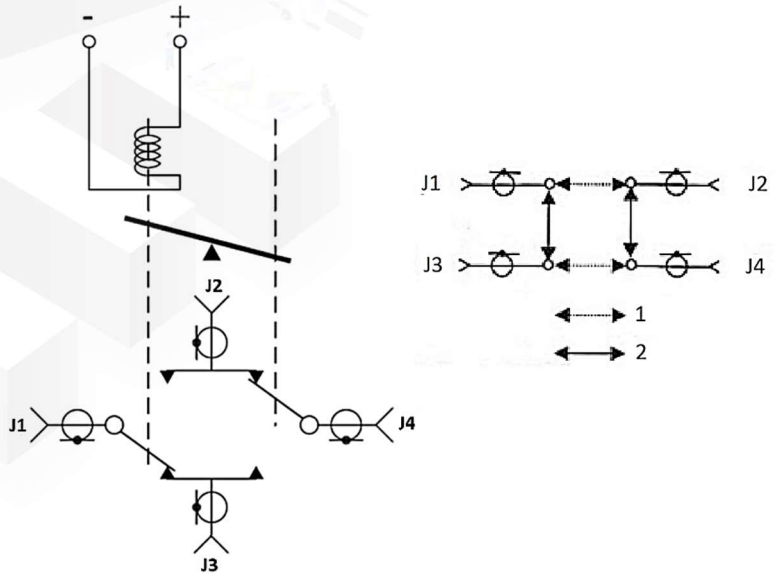
**OUTLINE DRAWING: (mm)**



**SCHEMATIC DIAGRAM:**



IN	CONTROL	DRIVE VOLTAGE(V)
1	1↔3 2↔4	/
2	/	/
3	GND	/
4	/	/
5	/	/
6	/	/
7	GND	/
8	/	/
9	+VDC	12V



NOTES:

1. ALL SPECIFICATIONS ARE SUBJECT TO CHANGE WITHOUT NOTICE AT ANY TIME
2. CUSTOMER OUTLINE DRAWING FOR REFERENCE ONLY

